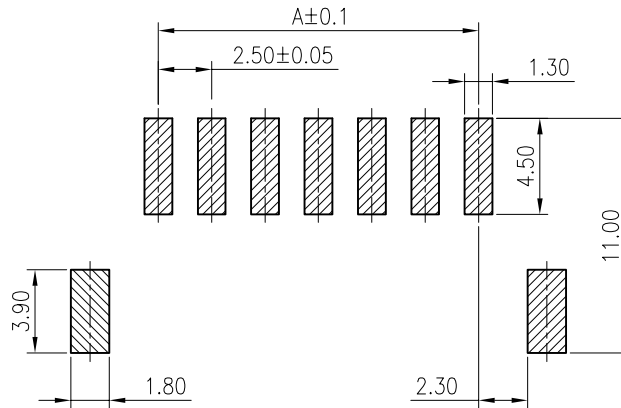
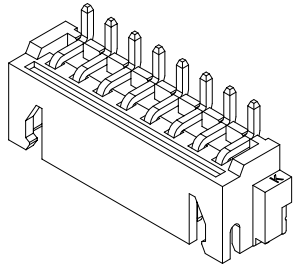


2 Circuits



Recommended P.C.Board Layout

◆SPECIFICATIONS

- Current rating: 3A AC, DC
- Voltage rating: 250V AC,DC
- Temperature range: -25°C ~ +85°C
- Insulation resistance: 1000MΩ Min.
- Withstanding voltage: 1000V AC/ minute.
- Contact resistance: 20mΩ Max.

Material:

Insulator: Nylon 9T/LCP UL 94V-0

Contact: Brass

Solder Nail: Brass

Plating: Tin plated over Nickel

Circuits: 2-16

Mates: KR2501 series Housing

Ordering code:

C2501RS***64P930

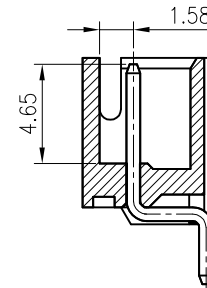
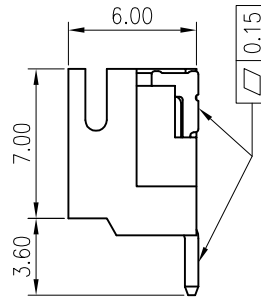
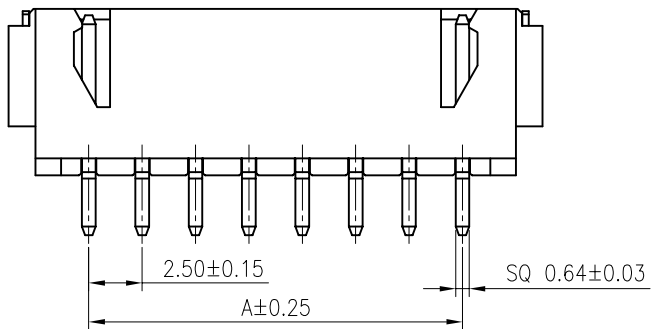
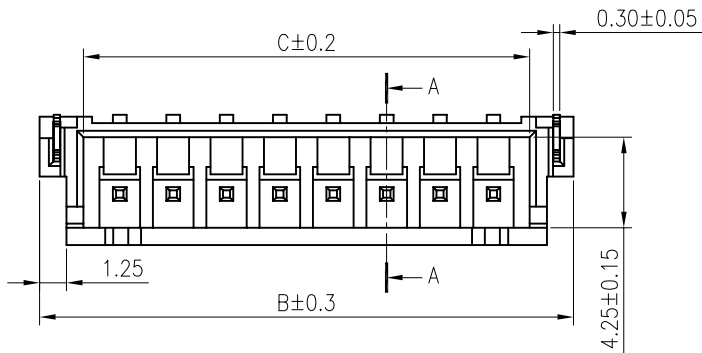
① ②

① Circuits: 002=2P 016=16P

② Material:

P9=PA9T

LP=LCP(Halogen free)



SECTION A-A

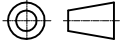
CKT.	Dimension		
	A	B	C
02	2.50	10.00	5.90
03	5.00	12.50	8.40
04	7.50	15.00	10.90
05	10.00	17.50	13.40
06	12.50	20.00	15.90
07	15.00	22.50	18.40
08	17.50	25.00	20.90
09	20.00	27.50	23.40
10	22.50	30.00	25.90
11	25.00	32.50	28.40
12	27.50	35.00	30.90
13	30.00	37.50	33.40
14	32.50	40.00	35.90
15	35.00	42.50	38.40
16	37.50	45.00	40.90

④			
③			
②			
①			
LTR	NAME	DATE	VERISION RECORD

GENERAL TOLERANCE		UNIT: mm		DATE	
. X ± 0.3	X° ± 1°	DRAWN:	闵昕皓	2014.11.20	
. XX ± 0.2	. X° ±	CHECKED:			
. XXX ± 0.1	. XX° ±	APPROVED:			

TITLE:		
JST XH2.5 SMF 90°		
WAFER		
VER.	SCALE:	N/A
A	SHEET:	1/1


东莞市康瑞电子有限公司
 Dongguan Konnra Electronics co., LTD.

PROJECTION	PART NO.	C2501RS***64P930
	DRAWING NO.	2501WHS101-6-S