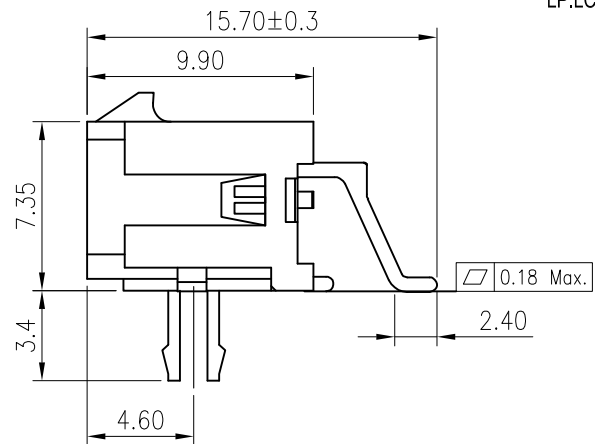
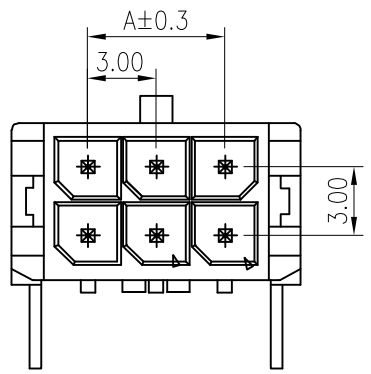
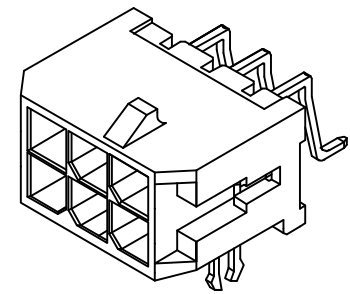


◆SPECIFICATIONS

- Current rating: 5A AC, DC
- Voltage rating: 250V AC,DC
- Temperature range: -25°C ~ +85°C
- Insulation resistance: 1000MΩ Min.
- Withstanding voltage: 1500V AC/ minute.
- Contact resistance: 10mΩ Max.

Material:

- Insulator: LCP UL 94V-0
- Contact: Brass
- press-fit: Brass
- Plating: Tin plated
- Circuits: 2~24
- Suitable: KR3000 series dual row Housing



C3000RS20230LP2AW
202:2*2P
LP:LCP
1:管装
2:卷装

PART NO.	Dimension	
	A	B
C3000RS20130LP3AW	----	6.65
C3000RS20230LP3AW	3.0	9.65
C3000RS20330LP3AW	6.0	12.65
C3000RS20430LP3AW	9.0	15.65
C3000RS20530LP3AW	12.0	18.65
C3000RS20630LP3AW	15.0	21.65
C3000RS20730LP3AW	18.0	24.65
C3000RS20830LP3AW	21.0	27.65
C3000RS20930LP3AW	24.0	30.65
C3000RS21030LP3AW	27.0	33.65
C3000RS21130LP3AW	30.0	36.65
C3000RS21230LP3AW	33.0	39.65

④				GENERAL TOLERANCE		UNIT: mm	DATE	TITLE: MX 3.0 SMT dual row 90° Wafer with press-fit			东莞市康瑞电子有限公司 Dongguan Konnra Electronics co., LTD.	
③				.X ±0.3	X° ±1°	DRAWN: 闵昕皓	2015.07.09	VER.	SCALE:	N/A		PROJ
②				.XX ±0.2	.X°	CHECKED:		SHEET:	1/1	DRAWING NO.		C3000RS***30LP3AW
①				.XXX ±0.1		APPROVED: 周志龙	2015.07.09	A		3000WHS202-3-S		
LTR	NAME	DATE	VERISION RECORD									
1	2	3	4	5	6	7	8	9				