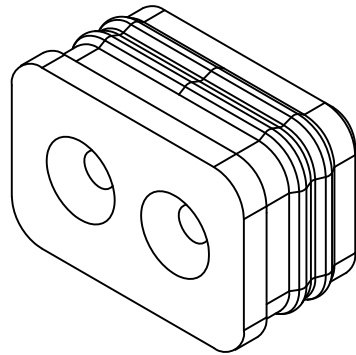
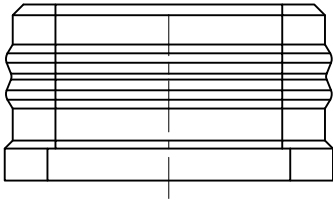
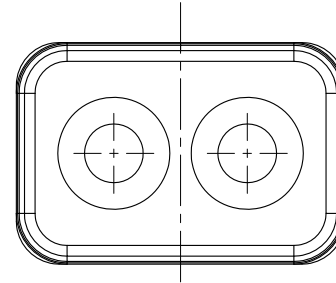
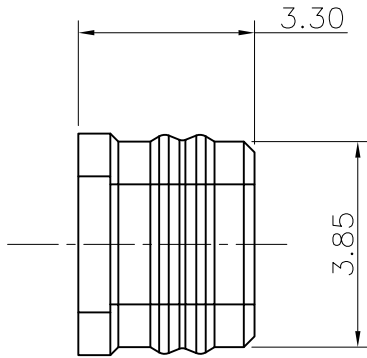
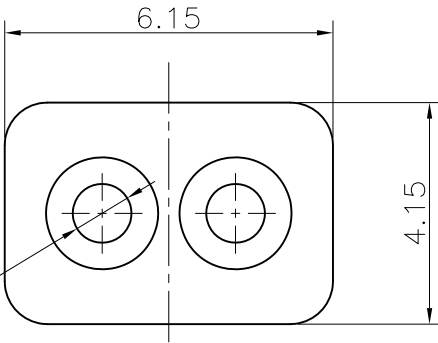


**RoHS**  
COMPLIANT



Material: Silica gel



				TOLERANCE		TITLE:		DRAWN: Shen 2021.12.10		KONNRA 东莞市康瑞电子有限公司	
				X.X ±0.30		M12.50 Envelope		CHECKED:		DongGuan Konnra Electronics Co.,Ltd.	
				X.XX ±0.20		Waterproof		APPROVED:		PART NO.: QK002003	
				X.XXX ±0.10		ring $\phi 1.10$		SHEET: 1/1		DRAWING NO.: 2517Q01-A-Q	
MARK		REVISION DESCRIPTION		SIGNATURE		DATE		UNIT: mm		SCALE: 1/1	
A		B		C		D		E		F	



New specification

Shen

2021.12.10

Angle  $\pm 2^\circ$

UNIT: mm SCALE: 1/1

SHEET: 1/1 PROJECTION

REV.: A1 DRAWING NO.: 2517Q01-A-Q

1 2 3 4 5 6 7 8 9