

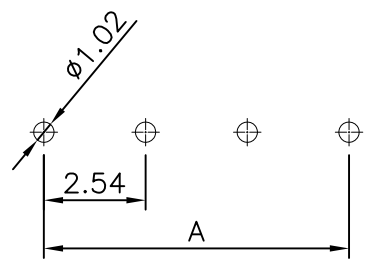
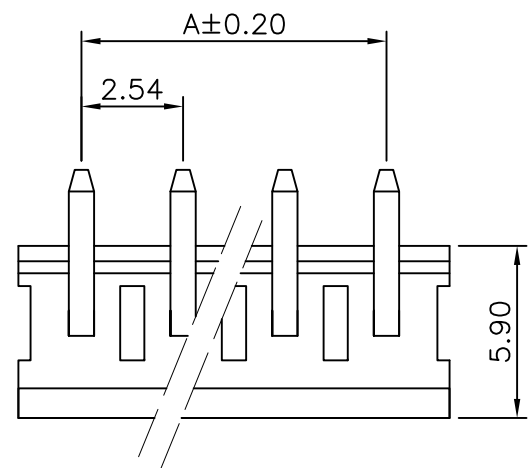
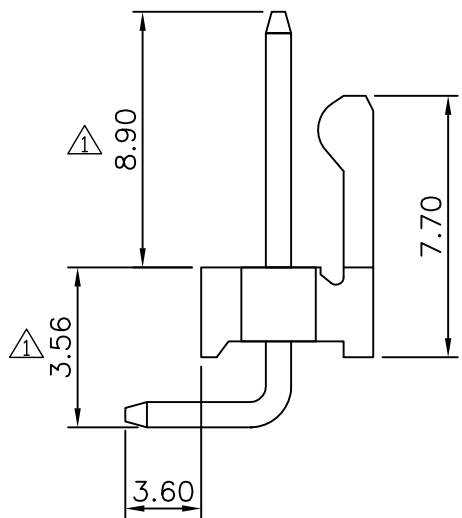
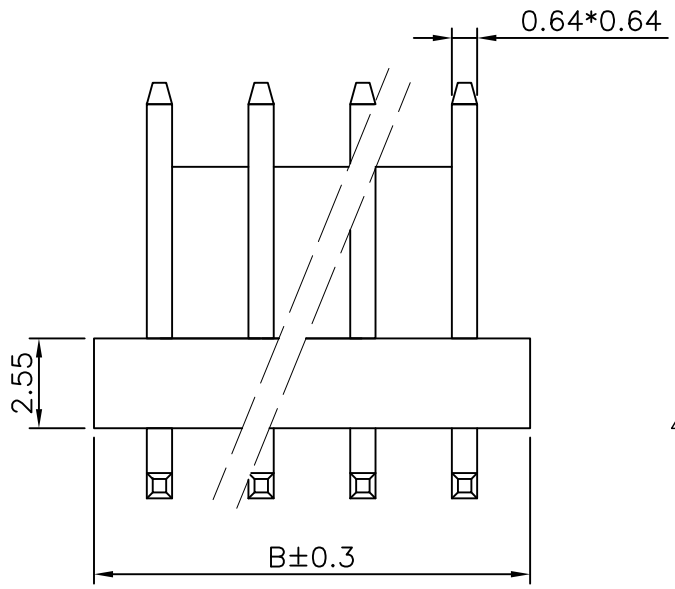
◆ SPECIFICATIONS

- Current rating: 3A AC, DC
- Voltage rating: 250V AC, DC
- Temperature range: -25°C ~ +85°C
- Insulation resistance: 1000MΩ Min.
- Withstanding voltage: 800V AC/ minute.
- Contact resistance: 20mΩ Max.

Material:

Insulator: Nylon 66 UL 94V-0
 Contact: Brass
 Plating: Tin plated over Nickel

Part No.	Dimension mm	
	A	B
C2543RD00219P630	2.54	5.08
C2543RD00319P630	5.08	7.62
C2543RD00419P630	7.62	10.16
C2543RD00519P630	10.16	12.70
C2543RD00619P630	12.70	15.24
C2543RD00719P630	15.24	17.78
C2543RD00819P630	17.78	20.32
C2543RD00919P630	20.32	22.86
C2543RD01019P630	22.86	25.40
C2543RD01119P630	25.40	27.94
C2543RD01219P630	27.94	30.48
C2543RD01319P630	30.48	33.02
C2543RD01419P630	33.02	35.56
C2543RD01519P630	35.56	38.10
C2543RD01619P630	38.10	40.64



P.C.B LAYOUT

△				GENERAL TOLERANCE	UNIT: mm	DATE	TITLE: AMP 2.54 90° Wafer		
△				.X±0.30	X°±1°	DRAWN: 闵昕皓	2014.6.25		
△				.XX±0.20	.X°±	CHECKED:			
△	闵昕皓	2014.6.25	增加管控尺寸	.XXX±0.10	.XX°±	APPROVED:			
LTR	NAME	DATE	VERSION RECORD				VER.	SCALE:	N/A
1	2	3	4	5	6	7	A	SHEET:	1/1


东莞市康瑞电子有限公司
 Dongguan Konnra Electronics co., LTD.

PROJECTION:  PART NO.: C2543RD***19P630
 DRAWING NO.: 2543WHD01-1-S