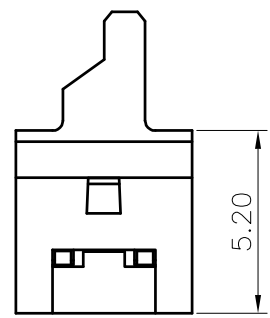
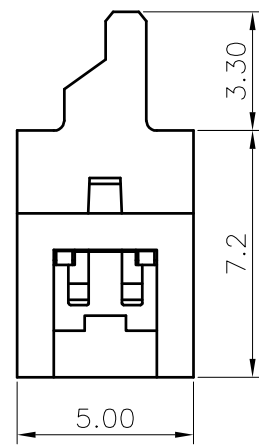
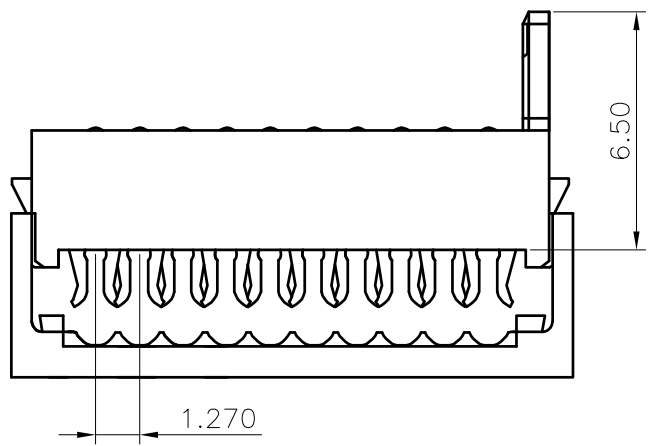


C1273MS***22PB10
 004:04P ——— 1:管装
 026:26P ——— 2:红色

- ◆ SPECIFICATIONS
- Current rating: 1A AC, DC
 - Voltage rating: 500V AC, DC
 - Temperature range: -25°C ~ +85°C
 - Insulation resistance: 1000MΩ Min.
 - Withstanding voltage: 500V AC/ minute.
 - Contact resistance: 20mΩ Max.

Material:
 Insulator: PBT UL 94V-0
 Contact: Brass
 Plating: Tin plated over Nickel
 Circuits: 2*2~2*13
 Mates With KR1273 Series Male Wafer



Circuits	Dimension			Q'TY/ Tube
	A	B	C	
04	8.45	2.54	5.85	68
06	10.99	5.08	8.39	52
08	13.33	7.62	10.93	42
10	16.07	10.16	13.47	36
12	18.61	12.70	16.01	31
14	21.15	15.24	18.55	27
16	23.69	17.78	21.09	24
18	26.23	20.32	23.63	22
20	28.77	22.86	26.17	20
22	31.31	25.40	28.71	18
24	33.85	27.94	31.25	17
26	36.39	30.48	33.79	16

△				GENERAL TOLERANCE	UNIT: mm	DATE	TITLE: Pitch1.27 Female IDC Type Connector			
△				.X±0.30	X°±1°	DRAWN: 闵昕皓				2014.12.15
△				.XX±0.20	.X°±	CHECKED:				
△				.XXX±0.10	.XX°±	APPROVED:				
LTR	NAME	DATE	VERISION RECORD				VER.	SCALE:	N/A	
							A	SHEET:	1/1	

东莞市康瑞电子有限公司
 Dongguan Konnra Electronics co., LTD.

PROJECTION	PART NO.	C1273MS***22PB10
DRAWING NO.		1273WF201-2-S