

Recommended P.C.Board Layout

◆SPECIFICATIONS

Current rating: 1A AC, DC
 Voltage rating: 250V AC,DC
 Temperature range: -25°C ~ +85°C
 Insulation resistance: 1000MΩ Min.
 Withstanding voltage: 500V AC/ minute.
 Contact resistance: 20mΩ Max.

Material:

Insulator: Thermoplastic plastics,UL 94V-0
 Contact: Brass
 Plating: Gold flash plated
 Circuits: 2x2~2x50

Ordering Code:

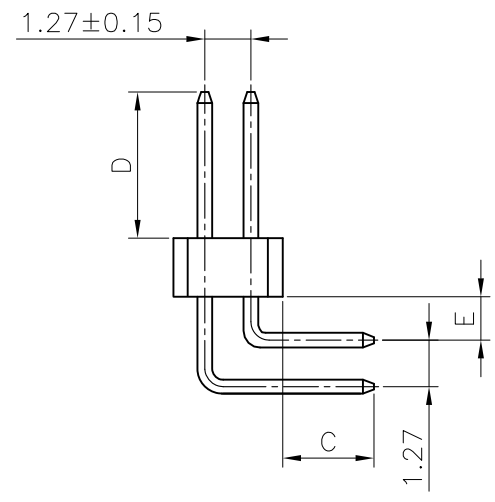
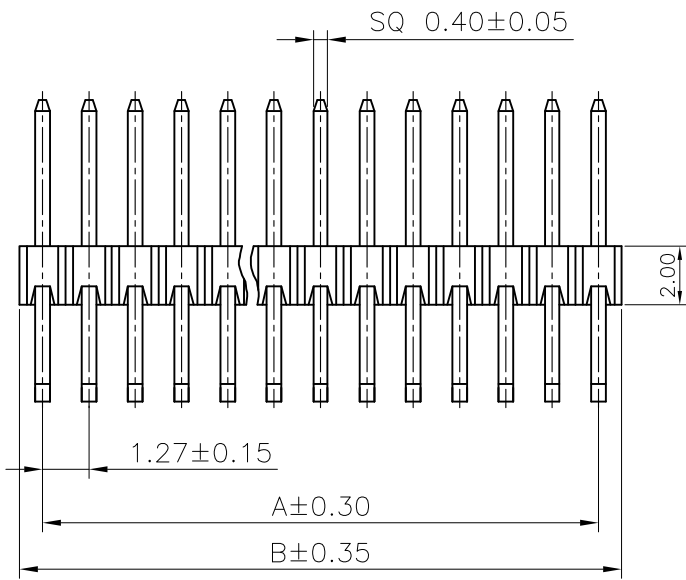
C1271VD***20**32
 ① ②

① No. of circuits
 202=2x2P 250=2x50P

② Insulator material:
 PT=PA6T P4=PA46 PB=PBT

A=1.27x(Circuits-1)
 B=A+1.27

Available in 4 through 100 circuits



△				GENERAL TOLERANCE	UNIT: mm	DATE	TITLE:		
△				.X±0.30	X°±1°	DRAWN: 朱佑武	PH1.27 DUAL ROW DIP		
△				.XX±0.20	.X°±	CHECKED:	90° PIN HEADER		
△				.XXX±0.10	.XX°±	APPROVED:	VER.	SCALE:	N/A
LTR	NAME	DATE	VERISION RECORD				A	SHEET:	1/1

东莞市康瑞电子有限公司
 DongGuan A Rui Electronic Co. LTD.

PROJECT	PART NO.	C1271RD***20PT31
DRAWING NO.		1271WMHD201-2-S