

A

B

C

D

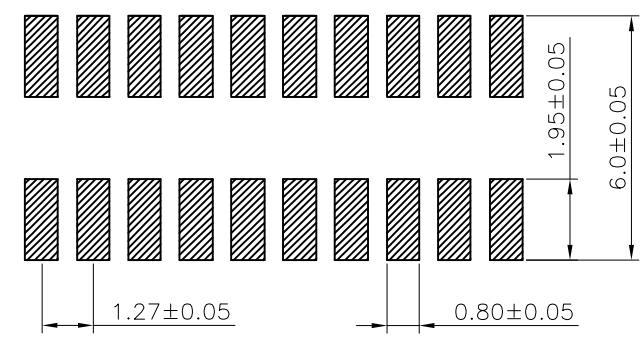
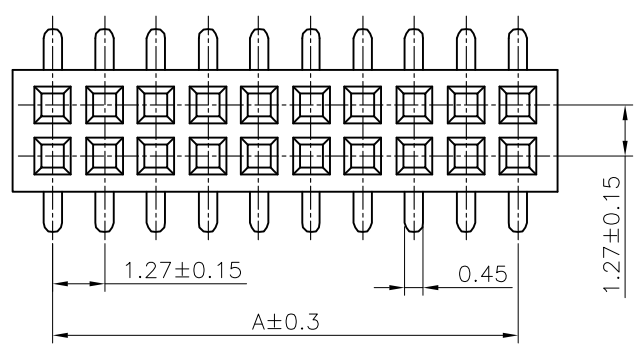
E

◆ SPECIFICATIONS
 Current rating: 1A AC, DC
 Voltage rating: 250V AC,DC
 Temperature range: -25°C ~ +85°C
 Insulation resistance: 1000MΩ Min.
 Withstanding voltage: 500V AC/ minute.
 Contact resistance: 20mΩ Max.

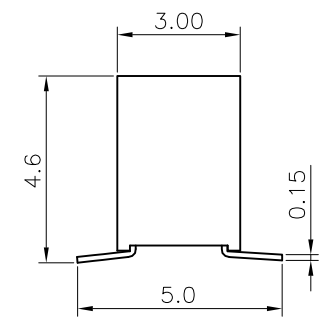
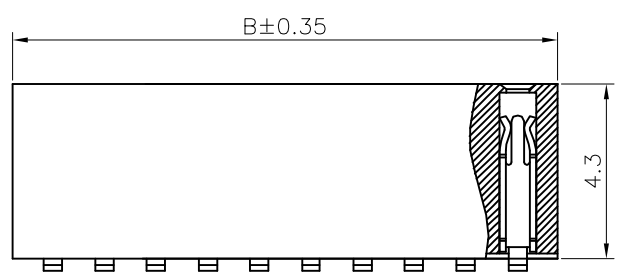
Material:
 Insulator: PA6T UL 94V-0
 Contact: Brass
 Plating: Gold flash plated

Ordering Code:

C1271MS*20PT30**
 201:双排1P
 201:双排2P



Recommended P.C.Board Layout



$A = 1.27 \times (\text{Circuit} - 1)$
 $B = A + 1.70$

Available in 4 through 100 circuits

F

	GENERAL TOLERANCE		UNIT: mm		DATE		TITLE: PH1.27 DUAL ROW SMT 180° FEMALE HEADER			
	.X±0.30	X°±1°	DRAWN:	朱佑武	2013.3.12					
	.XX±0.20	.X°±	CHECKED:							
	.XXX±0.10	.XX°±	APPROVED:							
LTR	NAME	DATE	VERISION RECORD		VER.	SCALE:	N/A	PROJECT PART NO. C1271MS***20PT30 DRAWING NO. 1271WFVS201-2-S		
1	2	3	4	5	A	SHEET:	1/1			

东莞市康瑞电子有限公司
 Dongguan Konnra Electronics co., LTD.