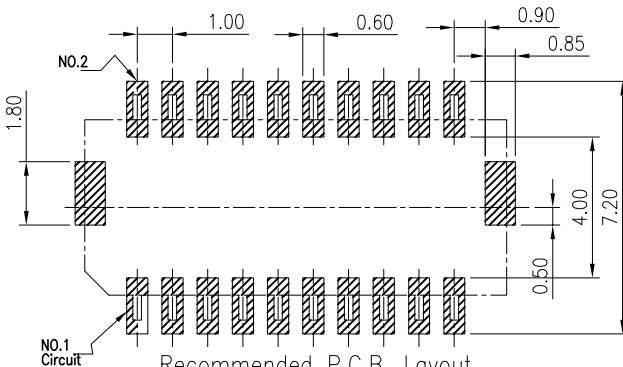
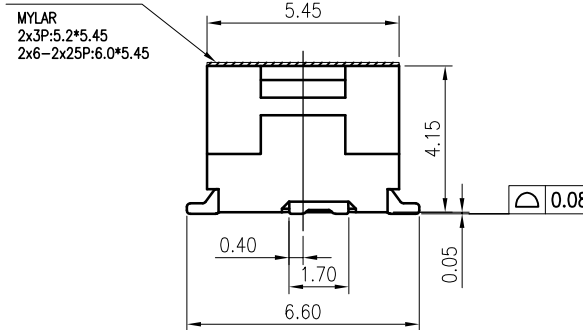
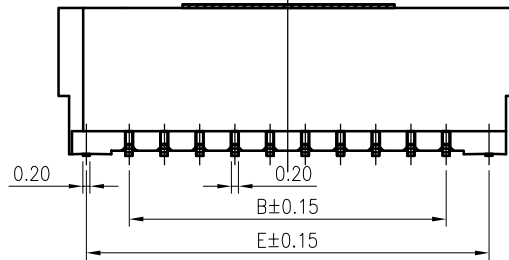
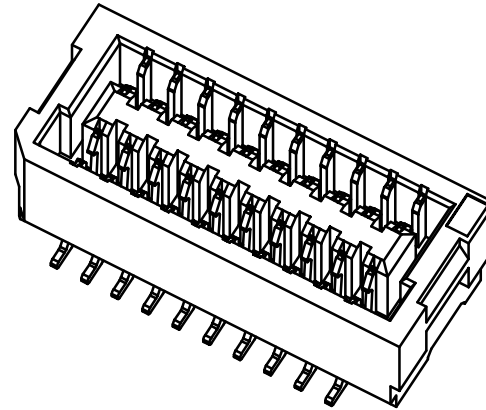
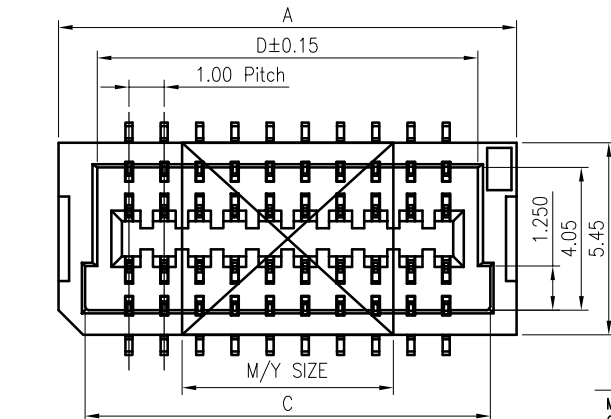


RoHS  
COMPLIANT



Recommended P.C.B. Layout  
Total tolerance:±0.05mm

**SPECIFICATIONS**

1. Current rating: 1A AC, DC
2. Voltage rating: 50V AC,DC
3. Temperature range: -40°C ~ +105°C
4. Insulation resistance: 500MΩ/ min.
5. Withstanding voltage: 300V AC/ minute.
6. Contact resistance: 55mΩ/ max.

**Material:**

Insulator: LCP UL 94V-0  
Contact: Copper alloy  
Solder Nail: Copper alloy  
Plating: Gold flash or matte tin plated over Nickel  
Mate with KR1007 series housing

**Ordering Code:**

C1007VS \*\*\* \*\* \*\*\* 01 \* A  
 No.of Circuits | Packing  
 203:2x3,225:2x25 | T:Tube  
 Insulator Material | R:Tape&Reel  
 13:LCP Natural | Plating  
 14:LCP Black | M01: Matte tin plated  
 G01:Gold flash

Circuits	Dimensions				
	A	B	C	D	E
2x3	6.00	2.00	4.5	3.80	4.43
2x5	8.00	4.00	6.5	5.80	6.43
2x6	9.00	5.00	7.5	6.80	7.43
2x10	13.00	9.00	11.5	10.80	11.43
2x15	18.00	14.00	16.5	15.80	16.43
2x20	23.00	19.00	21.5	20.80	21.43
2x25	28.00	24.00	26.5	25.80	26.43

MARK	REVISION	DESCRIPTION	SIGNATURE	DATE
A4				
A3				
A2				

**TOLERANCE**  
 X. X ±0.30  
 X. XX ±0.20  
 X. XXX ±0.10  
 Angle ±2°

**TITLE:**  
 SHLD1.0 SMF 180°  
 Wafer

**DRAWN:** Arvin 2020.09.03  
**CHECKED:**  
**APPROVED:**

**KONNRA** 东莞市康瑞电子有限公司  
 DongGuan Konnra Electronics Co., Ltd.

**PART NO. :** C1007VS\*\*\*\*\*01\*A

**UNIT:** mm **SCALE:** N/A **SHEET:** 1/1 **PROJECTION:** **REV. :** A1 **DRAWING NO. :** 1007WS201-A-S