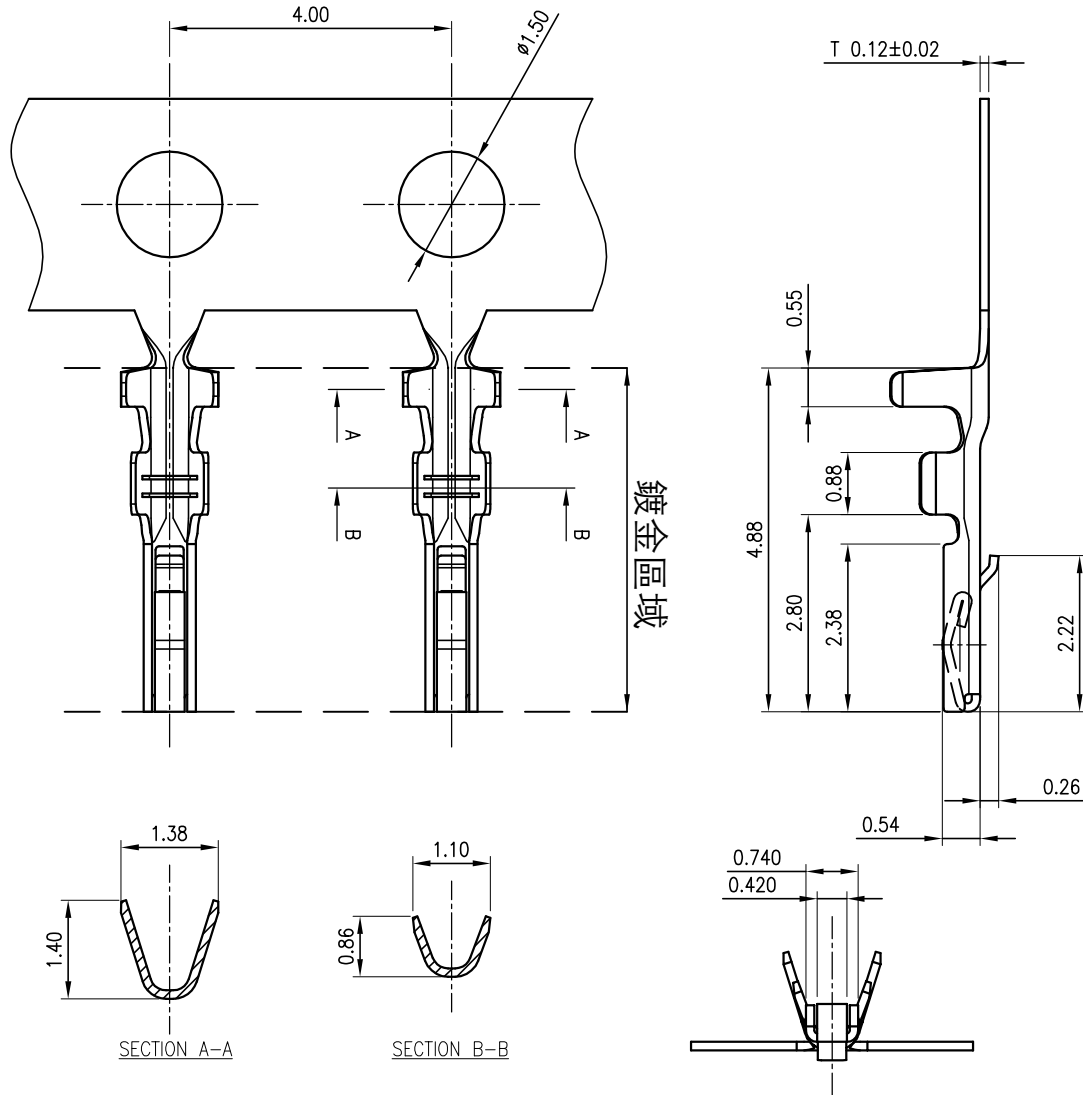


RoHS
COMPLIANT



SPECIFICATIONS

1. Current rating: 1A AC, DC
2. Voltage rating: 50V AC,DC
3. Temperature range: -40°C ~ +105°C
4. Insulation resistance: 500MΩ/ min.
5. Withstanding voltage: 300V AC/ minute.
6. Contact resistance: 55mΩ/ max.

Material: Phosphor Bronze
 Finish: Gold flash or matte tin plated over Nickel
 Applicable wires: AWG #28-#32
 Insulation O.D 0.4 to 0.8mm
 Suitable: KR1007 series Housing
 Qty/reel: 15,000 PCS

Ordering Code:

T10070P *** 01A
 └─ M01:Matte tin plated
 └─ G01:Gold flash

| | | | | | | | | | | | |
|---|------|----------------------|-----------|------|-------------------------------------------------------------------------|-----------------------------------|---|-------------------------|------------|--------------------------------------------------------------------|--|
| F | △4 | | | | TOLERANCE X. X ±0.3 X. XX ±0.2 X. XXX ±0.1 Angle ±2° | TITLE: SHLD1.0 Terminal | | DRAWN: Arvin 2020.09.02 | | KONNRA 东莞市康瑞电子有限公司 DongGuan Konnra Electronics Co., Ltd. | |
| | △3 | | | | | | | CHECKED: | | | |
| | △2 | | | | | | | APPROVED: | | | |
| | MARK | REVISION DESCRIPTION | SIGNATURE | DATE | | | | UNIT: mm | SCALE: N/A | | |
| | 1 | 2 | 3 | 4 | 5 | 6 | 7 | 8 | 9 | | |