

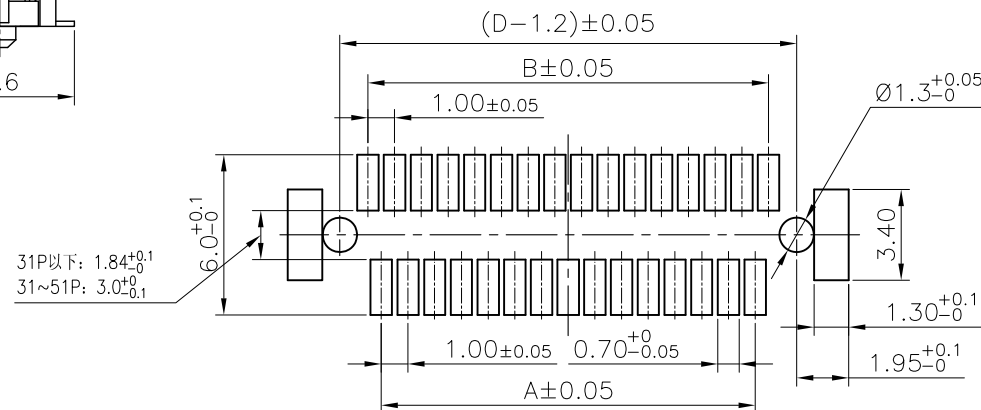
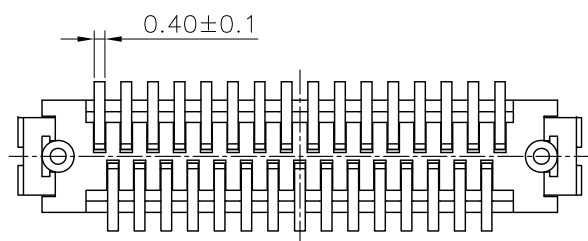
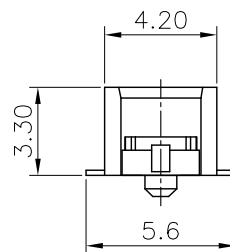
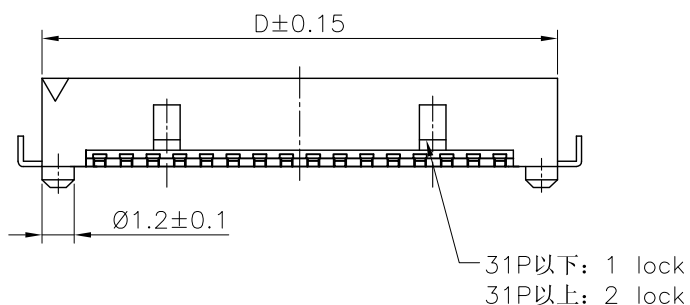
PART NO.	Dimensions				
	A	B	C	D	E
C1003GS02114P41A	9.00	10.00	12.60	14.30	16.10
C1003GS03114P41A	14.00	15.00	17.60	19.30	21.10
C1003GS04114P41A	19.00	20.00	22.60	24.30	26.10
C1003GS05114P41A	24.00	25.00	27.60	29.30	31.10

◆ SPECIFICATIONS

- Current rating: 0.5A AC, DC
- Voltage rating: 150V AC, DC
- Temperature range: -25°C ~ +85°C
- Insulation resistance: 500MΩ Min.
- Withstanding voltage: 250V AC/ minute.
- Contact resistance: 50mΩ Max.

Material:

Insulator: Nylon 46 UL 94V-0
 Contact: Phosphor bronze
 Solder Nail: Alloy copper
 Plating: Tin plated over Nickel
 Circuits: 21,31,41,51



Recommended P.C.Board Layout

④				GENERAL TOLERANCE	UNIT: mm	DATE	TITLE:		
③				.X±0.30	X°±1°	DRAWN: 朱佑武	HRS DF9 SMT 180°		
②				.XX±0.20	.X°±	CHECKED:	公座有柱		
①				.XXX±0.10	.XX°±	APPROVED: 周志龙	VER. A	SCALE:	N/A
LTR	NAME	DATE	VERSION RECORD			2013.5.7	SHEET:	1/1	


东莞市康瑞电子有限公司
 Dongguan Konnra Electronics co., LTD.

PROJECT	PART NO.	C1003GS***14P41A
DRAWING NO.		1003WVSM201-1-S