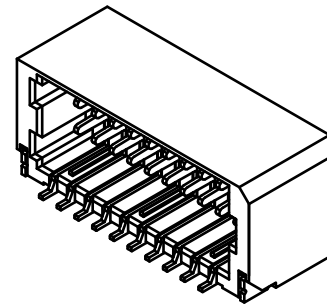


Recommended P.C.Board Layout
ALL TOLERANCE:±0.1



◆ SPECIFICATIONS

- Current rating: 1A AC, DC
- Voltage rating: 50V AC,DC
- Temperature range: -25°C ~ +85°C
- Insulation resistance: 100MΩ Min.
- Withstanding voltage: 500V AC/ minute.
- Contact resistance: 20mΩ Max.

Material:

Insulator: PA6T UL 94V-0

Contact: copper alloy

Fitting nail: copper alloy

Plating: Gold plated

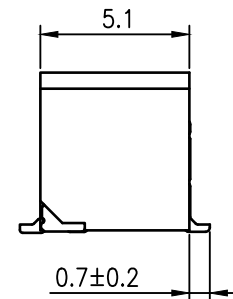
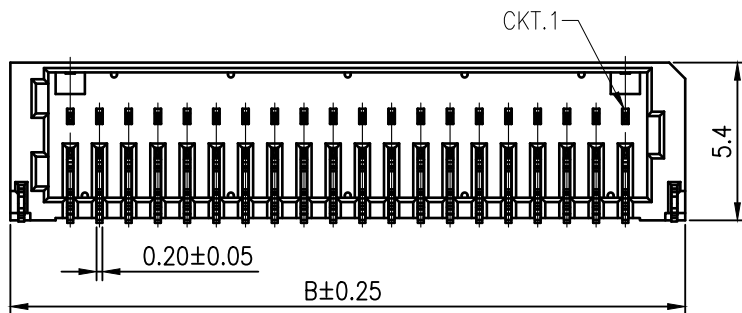
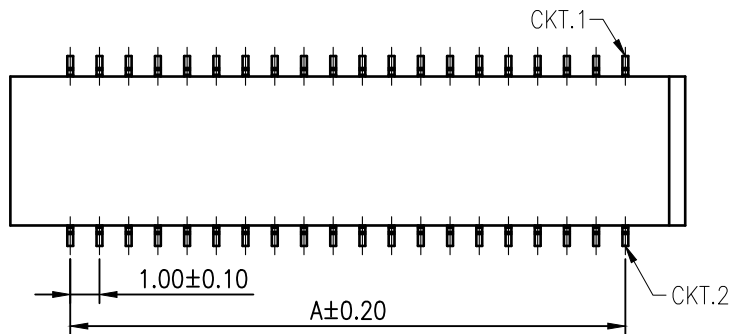
Mates With KR1000 Series Dual Row Housing

Ordering code:

C1000RS***54PT**

PIN数

- A: 带柱
- B: 无柱
- 1: 管装
- 2: 卷装



PART NO.	Dimensions	
	A	B
C1000RS20654PT*B	5.00	9.10
C1000RS20854PT*B	7.00	11.10
C1000RS21054PT*B	9.00	13.10
C1000RS21554PT*B	14.00	18.10
C1000RS22054PT*B	19.00	23.10
C1000RS22554PT*B	24.00	28.10

F	△			GENERAL TOLERANCE	UNIT: mm	DATE	TITLE: JST SHR 1.00mm SMT 90度 Dual Row Wafer			东莞市康瑞电子有限公司 DongGuan Konnra Electronics CO.,LTD		
	△			.X±0.25	X°±1°	DRAWN: 朱佑武 2013.1.2						
	△			.XX±0.15	.X°±	CHECKED:	VER.	SCALE:	N/A			
	△			.XXX±0.10	.XX°±	APPROVED: 周志龙 2013.1.2	A	SHEET:	1/1			
	LTR	NAME	DATE	VERISION RECORD						PROJECT	PART NO.	C1000RS2**54PT*B
										DRAWING NO.	1000WHS201-5-S	
	1	2	3	4	5	6	7	8	9			