

Recommended P.C.B. Layout
Total tolerance: ±0.05mm

◆ SPECIFICATIONS

- Current rating: 0.5A AC, DC
- Voltage rating: 30V AC, DC
- Temperature range: -25°C ~ +85°C
- Insulation resistance: 100MΩ Min.
- Withstanding voltage: 200V AC/ minute.
- Contact resistance: 20mΩ Max.

Material:

Insulator: LCP UL 94V-0
 Contact: Phosphor bronze
 Fitting Nail: Brass
 Plating: Gold flash plated or tin plated over 50u" Nickel
 Suitable: KR0800 Series Single Row Housing
 or KR0803 Series Crimp Housing

Ordering Code:

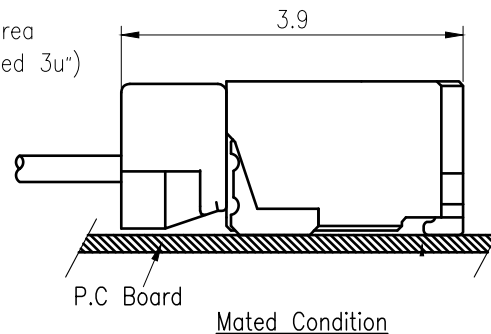
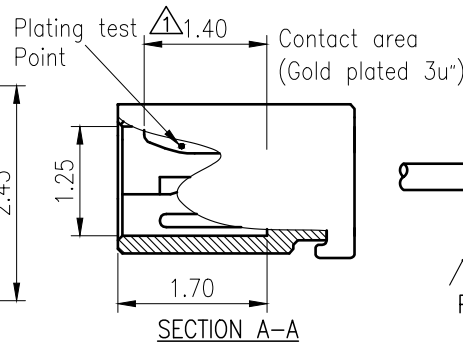
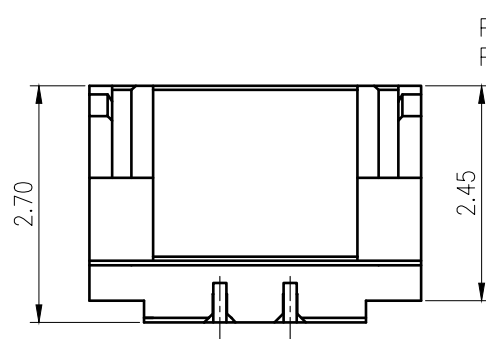
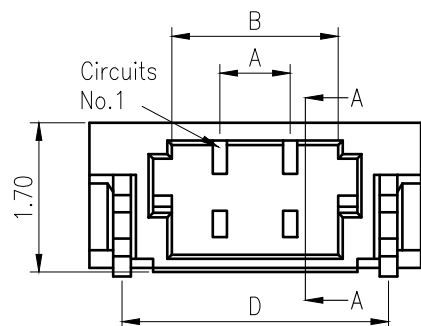
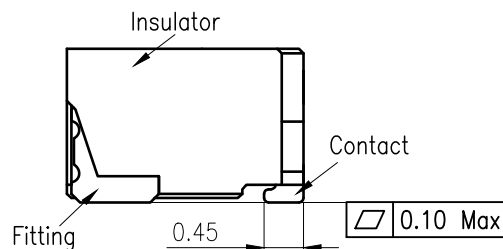
C0800RS *** 88LP2 *
 ① ②

① NO.of Circuit: (002~020)

② Finish type:
 0= Tin plated
 P= Gold-flash

△ 1= Selective gold plated 3u"

Circuits	Dimensions			
	A	B	C	D
02	0.80	1.90	3.78	3.04
03	1.60	2.70	4.58	3.84
04	2.40	3.50	5.38	4.64
05	3.20	4.30	6.18	5.44
06	4.00	5.10	6.98	6.24
07	4.80	5.90	7.78	7.04
08	5.60	6.70	8.58	7.84
09	6.40	7.50	9.38	8.64
10	7.20	8.30	10.18	9.44
11	8.00	9.10	10.98	10.24
12	8.80	9.90	11.78	11.04
13	9.60	10.70	12.58	11.84
14	10.40	11.50	13.38	12.64
15	11.20	12.30	14.18	13.44
16	12.00	13.10	14.98	14.24
17	12.80	13.90	15.78	15.04
18	13.60	14.70	16.58	15.84
19	14.40	15.50	17.38	16.64
20	15.20	16.30	18.18	17.44



△				GENERAL TOLERANCE	UNIT: mm	DATE	TITLE:
△				.X ± 0.30	X° ± 1°	DRAWN: 闵昕皓	JST SUR 0.8 SMT
△				.XX ± 0.20	.X° ±	CHECKED:	90° Wafer
△				.XXX ± 0.10	.XX° ±	APPROVED:	
LTR	NAME	DATE	VERISION RECORD				

东莞市康瑞电子有限公司
 DongGuan Konnra Electronics CO.,LTD

PROJECT: PART NO. C0800RS***88LP21
 VER. SCALE: N/A
 A2 SHEET: 1/1
 DRAWING NO. 0800WHS01-8-S