

1 2 3 4 5 6 7 8 9

A

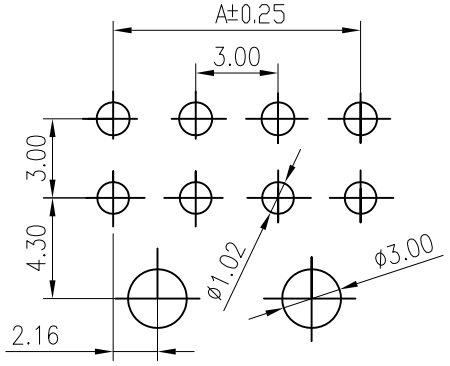
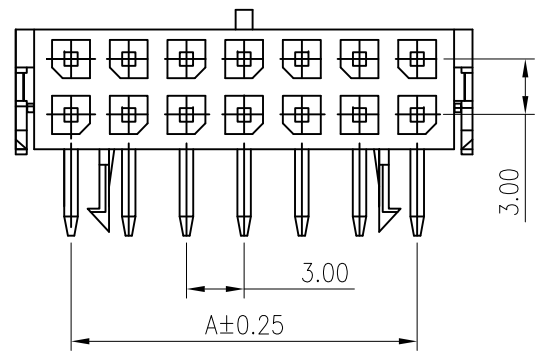
B

C

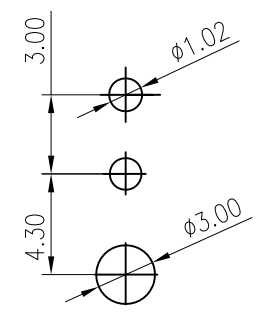
D

E

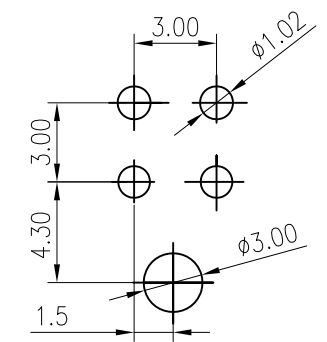
F



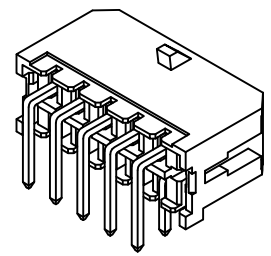
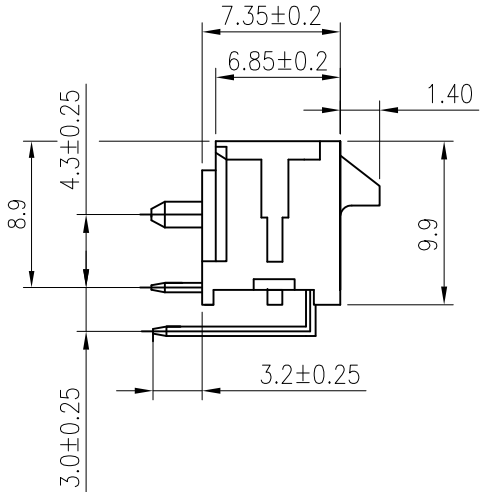
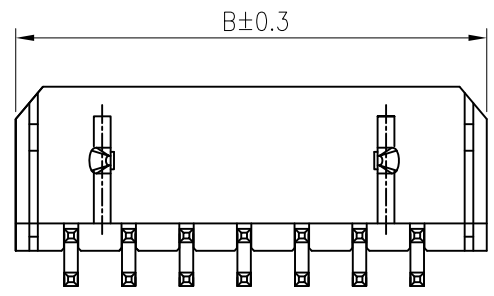
8P~24P P.C.B LAYOUT



2P P.C.B LAYOUT



4P~6P P.C.B LAYOUT



C3000RD***30P4*0
 PIN数
 LP:LCP料
 P4:PA46料
 0:镀锡
 P:Gold Flash
 J:镀金3u"
 3:袋装
 4:盒装

- ◆ SPECIFICATIONS
- Current rating: 5A AC, DC
 - Voltage rating: 250V AC, DC
 - Temperature range: -25°C ~ +85°C
 - Insulation resistance: 1000MΩ Min.
 - Withstanding voltage: 1500V AC/ minute.
 - Contact resistance: 10mΩ Max.

Material:
 Insulator: PA46 UL 94V-0
 Contact: Brass
 Plating: Tin plated
 Circuits: 2~24
 Suitable: KR3000 series dual row Housing

PART NO.	Dimension	
	A	B
C3000RD20130P4*0	—	6.65
C3000RD20230P4*0	3.0	9.65
C3000RD20330P4*0	6.0	12.65
C3000RD20430P4*0	9.0	15.65
C3000RD20530P4*0	12.0	18.65
C3000RD20630P4*0	15.0	21.65
C3000RD20730P4*0	18.0	24.65
C3000RD20830P4*0	21.0	27.65
C3000RD20930P4*0	24.0	30.65
C3000RD21030P4*0	27.0	33.65
C3000RD21130P4*0	30.0	36.65
C3000RD21230P4*0	33.0	39.65

△			
△			
△			
△			
LTR	NAME	DATE	VERISION RECORD

GENERAL TOLERANCE		UNIT: mm		DATE	
.X	±0.3	X°	±1°	DRAWN:	朱佑武 2013.01.09
.XX	±0.2	.X°		CHECKED:	
.XXX	±0.1			APPROVED:	周志龙 2013.01.09

TITLE: Molex 3.0 DIP 双排 90° Wafer		
VER.	SCALE:	N/A
A	SHEET:	1/1

东莞市康瑞电子有限公司
 Dongguan Konnra Electronics co., LTD.

PROJ	PART NO.	C3000RD***30P4*0
DRAWING NO.		3000WHD201-3-S

1 2 3 4 5 6 7 8 9