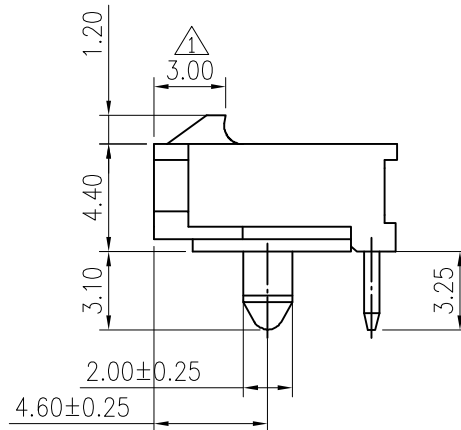
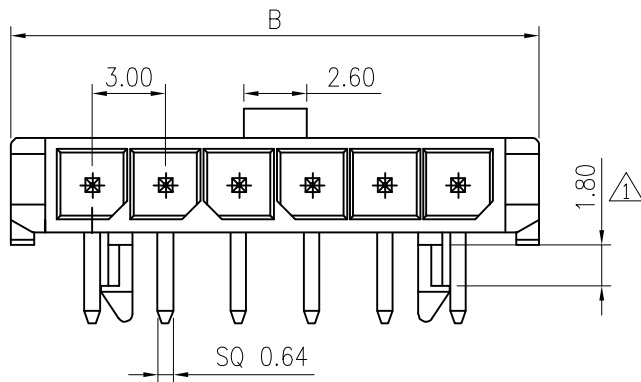
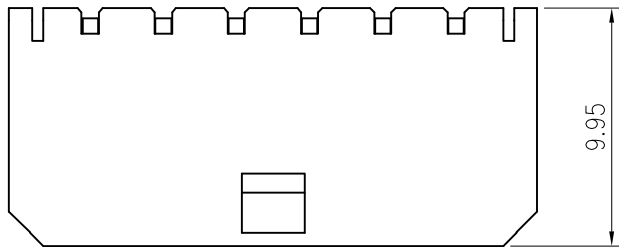


PCB LAYOUT



◆ SPECIFICATIONS

- Current rating: 5A AC, DC
- Voltage rating: 250V AC, DC
- Temperature range: -25°C ~ +85°C
- Insulation resistance: 1000MΩ Min.
- Withstanding voltage: 1500V AC/ minute.
- Contact resistance: 10mΩ Max.

Material:

Insulator: Nylon 9T UL 94V-0

Contact: Brass

Plating: Tin plated or Gold plated

Circuits: 2~12

Suitable: KR3000 series single row Housing

C3000RD\*\*\*10P9\*0

PIN数

3:袋装

4:盒装

PART NO.	Dimension mm	
	A	B
C3000RD00230P9*0	3.0	9.65
C3000RD00330P9*0	6.0	12.65
C3000RD00430P9*0	9.0	15.65
C3000RD00530P9*0	12.0	18.65
C3000RD00630P9*0	15.0	21.65
C3000RD00730P9*0	18.0	24.65
C3000RD00830P9*0	21.0	27.65
C3000RD00930P9*0	24.0	30.65
C3000RD01030P9*0	27.0	33.65
C3000RD01130P9*0	30.0	36.65
C3000RD01230P9*0	33.0	39.65

△				GENERAL TOLERANCE	UNIT: mm	DATE	TITLE:
△				.X±0.30	X°±1°	DRAWN: 闵昕皓	KR3000
△				.XX±0.20	.X°±	2016.12.05	MX 3.0 DIP 90°
△	闵昕皓	2016.12.02	增加尺寸规格, 标记"△"	.XXX±0.10	.XX°±		Wafer 单排
LTR	NAME	DATE	VERISION RECORD		APPROVED:		VER. SCALE: N/A
1	2	3	4				A1 SHEET: 1/1



东莞市康瑞电子有限公司  
Dongguan Konnra Electronics co., LTD.

PROJECTION	PART NO.	C3000RD***30P9*0
	DRAWING NO.	3000WHD102-3-S