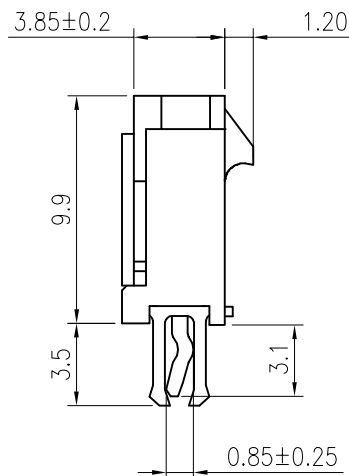
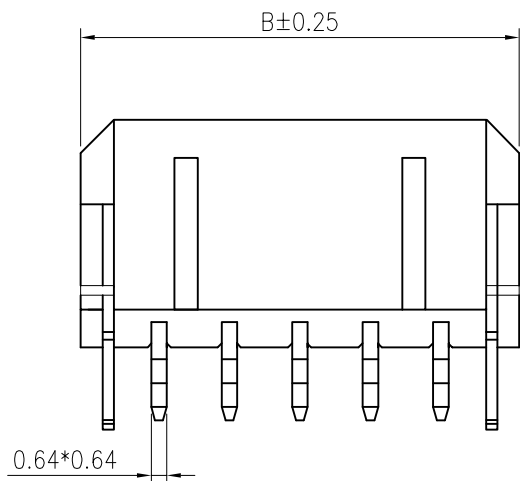
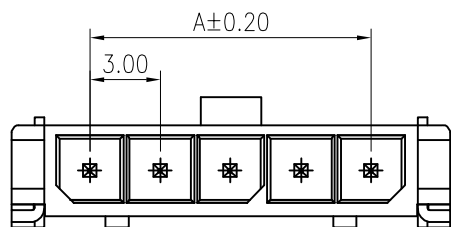
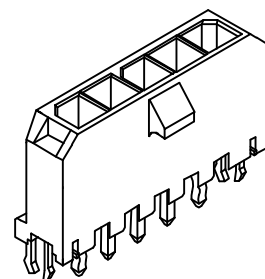


PCB LAYOUT



◆ SPECIFICATIONS

- Current rating: 5A AC, DC
- Voltage rating: 250V AC, DC
- Temperature range: -25°C ~ +85°C
- Insulation resistance: 1000MΩ Min.
- Withstanding voltage: 1500V AC/ minute.
- Contact resistance: 10mΩ Max.

Material:

Insulator: LCP UL 94V-0

Contact: Brass

Plating: Tin plated or Gold plated

Circuits: 2~12

Suitable: KR3000 series single row Housing

C3000VD *** 30 ** 3V

002: 2P

LP: LCP

PART NO.	Dimension mm	
	A	B
C3000VD00230LP3V	3.0	9.65
C3000VD00330LP3V	6.0	12.65
C3000VD00430LP3V	9.0	15.65
C3000VD00530LP3V	12.0	18.65
C3000VD00630LP3V	15.0	21.65
C3000VD00730LP3V	18.0	24.65
C3000VD00830LP3V	21.0	27.65
C3000VD00930LP3V	24.0	30.65
C3000VD01030LP3V	27.0	33.65
C3000VD01130LP3V	30.0	36.65
C3000VD01230LP3V	33.0	39.65

④				GENERAL TOLERANCE	UNIT: mm	DATE	TITLE: Molex 3.0 DIP 单排 180° Wafer 带鱼叉 VER. SCALE: N/A A SHEET: 1/1			
③				.X±0.30	X° ±1°	DRAWN: 阙昕皓				2014.12.17
②				.XX±0.20	.X° ±	CHECKED:				
①				.XXX±0.10	.XX° ±	APPROVED: 周志龙				2014.12.17
LTR	NAME	DATE	VERISION RECORD							



东莞市康瑞电子有限公司
Dongguan Konnra Electronics co., LTD.

PROJECTION	PART NO.	C3000VD***30LP3V
	DRAWING NO.	3000WD101-3-S