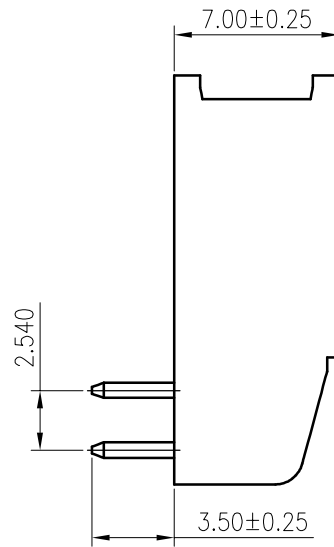
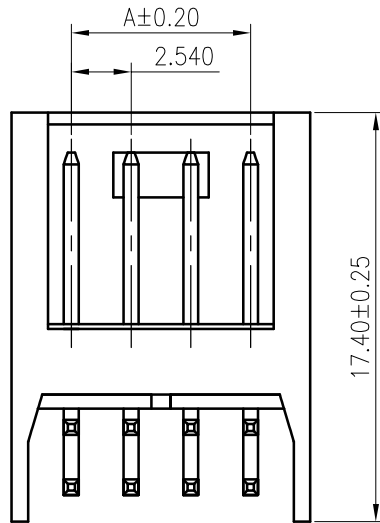
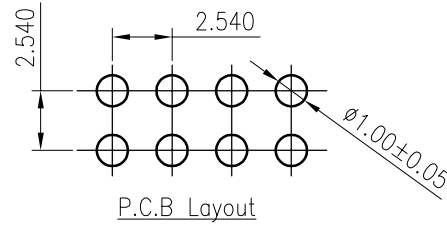
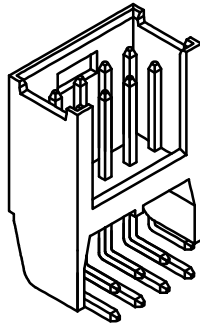
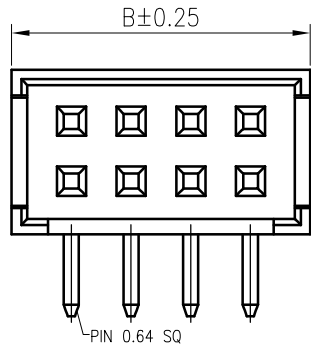


RoHS
COMPLIANT



SPECIFICATIONS

1. Current rating: 3A AC, DC
2. Voltage rating: 250V AC,DC
3. Temperature range: -40°C ~ +105°C
4. Insulation resistance: 1000MΩ Min.
5. Withstanding voltage: 1000V AC/ minute.
6. Contact resistance: 20mΩ Max.

Material:

Insulator: Nylon PBT UL 94V-0
Contact: Brass
Plating: Tin plated over Nickel
Mate with KR2546 series Housing

Ordering Code:

C2546RD *** 05 T01 01 PB

No. of Circuits $\left\{ \begin{array}{l} 202:2*2,232:2*32 \end{array} \right.$

Circuits	Dimensions		Circuits	Dimensions	
	A	B		A	B
2x2	2.54	7.46	2x18	43.18	48.10
2x3	5.08	10.00	2x19	45.72	50.64
2x4	7.62	12.54	2x20	48.26	53.18
2x5	10.16	15.08	2x21	50.80	55.72
2x6	12.70	17.62	2x22	53.34	58.26
2x7	15.24	20.16	2x23	55.88	60.80
2x8	17.78	22.70	2x24	58.42	63.34
2x9	20.32	25.24	2x25	60.96	65.88
2x10	22.86	27.78	2x26	63.50	68.42
2x11	25.40	30.32	2x27	66.04	70.96
2x12	27.94	32.86	2x28	68.58	73.50
2x13	30.48	35.40	2x29	71.12	76.04
2x14	33.02	37.94	2x30	73.66	78.58
2x15	35.56	40.48	2x31	76.20	81.12
2x16	38.10	43.02	2x32	78.74	83.66
2x17	40.64	45.56			



MARK	REVISION DESCRIPTION	SIGNATURE	DATE
A4			
A3			
A2	更改料号及图框格式	LJT	2020.05.20

TOLERANCE
X. X ±0.30
X. XX ±0.20
X. XXX ±0.10
Angle ±2°

TITLE:
2.54 Pitch DIP 90°
双排 Wafer

DRAWN: Liujiangtian 2020.5.20

CHECKED:

APPROVED:

UNIT: mm **SCALE:** N/A

SHEET: 1/1

PROJECTION:

KONNRA 东莞市康瑞电子有限公司
DongGuan Konnra Electronics Co., Ltd.

PART NO.: C2546RD***05T0101PB

REV.: A2 **DRAWING NO.:** 2546WRD201-B-S