

RoHS
COMPLIANT

SPECIFICATIONS

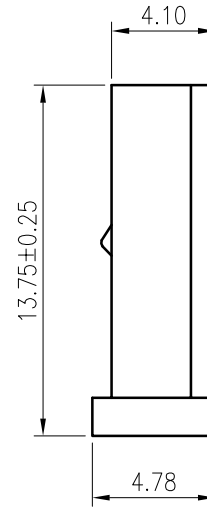
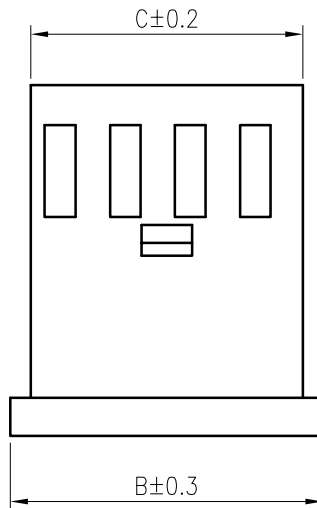
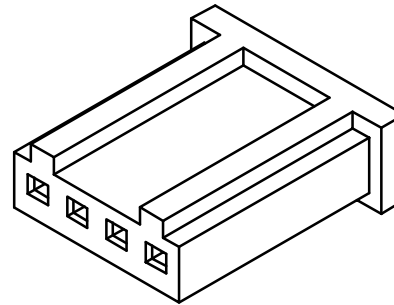
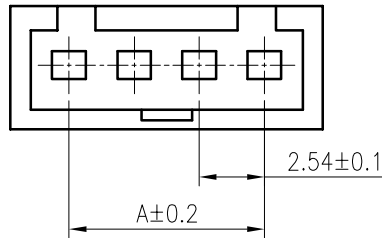
1. Current rating: 3A AC, DC
2. Voltage rating: 250V AC,DC
3. Temperature range: -40°C ~ +105°C
4. Insulation resistance: 1000MΩ Min.
5. Withstanding voltage: 1000V AC/ minute.
6. Contact resistance: 20mΩ Max.

Material: PBT UL 94V-0
Suitable KR2546 series terminal
Mate with KR2546 series wafer

Ordering Code:

H25460 *** 05 01A

No. of Circuits 102:2,122:22
Insulator Material 05:PBT Black V0



| Circuits | Dimensions | | | Circuits | Dimensions | | |
|----------|------------|-------|-------|----------|------------|-------|-------|
| | A | B | C | | A | B | C |
| 2 | 2.54 | 7.20 | 5.60 | 13 | 30.48 | 35.14 | 33.54 |
| 3 | 5.08 | 9.74 | 8.14 | 14 | 33.02 | 37.68 | 36.08 |
| 4 | 7.62 | 12.28 | 10.68 | 15 | 35.56 | 40.22 | 38.62 |
| 5 | 10.16 | 14.82 | 13.22 | 16 | 38.10 | 42.76 | 41.16 |
| 6 | 12.70 | 17.36 | 15.76 | 17 | 40.64 | 45.30 | 43.70 |
| 7 | 15.24 | 19.90 | 18.30 | 18 | 43.18 | 47.84 | 46.24 |
| 8 | 17.78 | 22.44 | 20.84 | 19 | 45.72 | 50.38 | 48.78 |
| 9 | 20.32 | 24.98 | 23.38 | 20 | 48.26 | 52.92 | 51.32 |
| 10 | 22.86 | 27.52 | 25.92 | 21 | 50.80 | 55.46 | 53.86 |
| 11 | 25.40 | 30.06 | 28.46 | 22 | 53.34 | 58.00 | 56.40 |
| 12 | 27.94 | 32.60 | 31.00 | | | | |

| | | | | | | | | | | | |
|---|------|----------------------|-----------|------------|--|------------------------------------|------------------------------|------------|---------------------------------------|------------|----------|
| F | △4 | | | | TOLERANCE X.X ±0.30 X.XX ±0.20 X.XXX ±0.10 Angle ±2° | TITLE: 2.54 Pitch 单排 Housing | DRAWN: Liujingtian 2020.5.20 | | KONNRA 东莞市康瑞电子有限公司 | | |
| | △3 | | | | | | CHECKED: | | DongGuan Konnra Electronics Co., Ltd. | | |
| | △2 | 更改料号及图框格式 | LJT | 2020.05.20 | | | APPROVED: | | PART NO.: H25460***0501A | | |
| | MARK | REVISION DESCRIPTION | SIGNATURE | DATE | | | UNIT: mm | SCALE: N/A | SHEET: 1/1 | PROJECTION | REV.: A2 |
| | 1 | 2 | 3 | 4 | 5 | 6 | 7 | 8 | 9 | | |