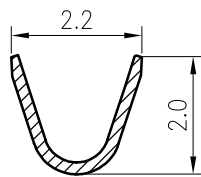
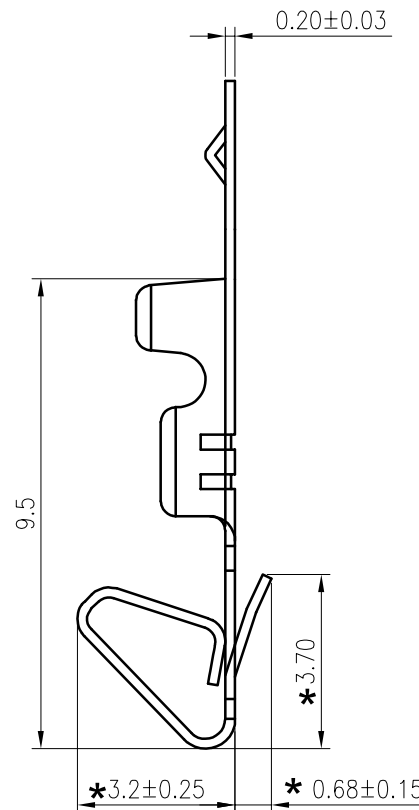
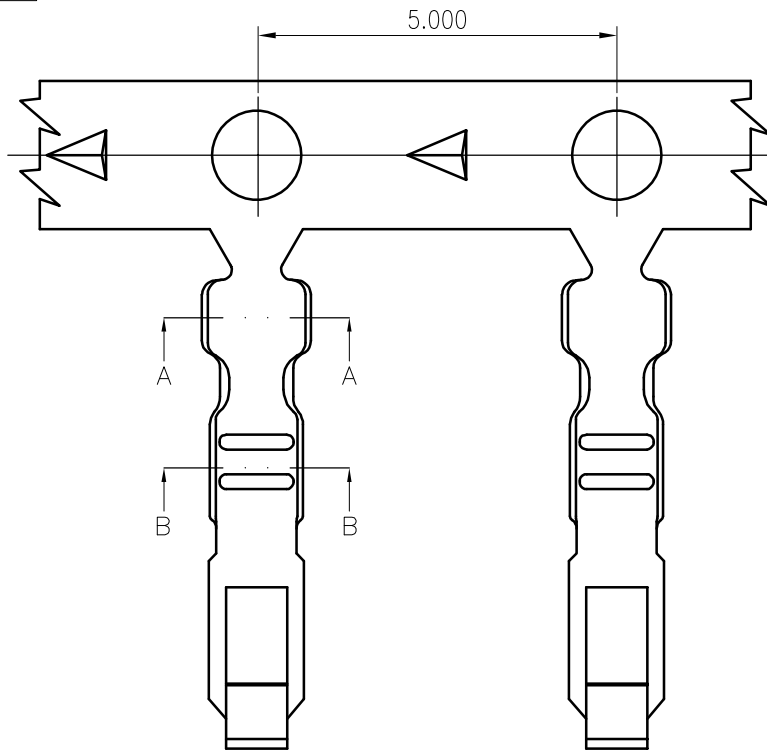
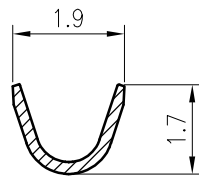


RoHS  
COMPLIANT



Section A-A



Section B-B

**SPECIFICATIONS**

1. Current rating: 3A AC, DC
2. Voltage rating: 250V AC,DC
3. Temperature range: -40°C ~ +105°C
4. Insulation resistance: 1000MΩ Min.
5. Withstanding voltage: 800V AC/ minute.
6. Contact resistance: 20mΩ Max.

**Applicable Wires:**

AWG#22~#28

Insulation O.D. : 1.50mm MAX

Material: Phosphor Bronze or Brass

Plating: Tin plated over Nickel

Suitable KR2540 series housing

Q'ty/reel: 10,000PCS

**Ordering Code:**

T25400 \* T01 01A

└ P: Phosphor bronze

└ B: Brass

F				TOLERANCE	TITLE:	DRAWN: Liujiangtian 2020.5.12	KONNRA 东莞市康瑞电子有限公司			
	A3			X.X ±0.30	MX2510 Terminal	CHECKED:	DongGuan Konnra Electronics Co., Ltd.			
	A2	更改料号及图框格式	LJT	X.XX ±0.20		APPROVED:	PART NO. : T25400*T0101A			
	MARK	REVISION DESCRIPTION	SIGNATURE	DATE	X.XXX ±0.10	UNIT: mm	SCALE: N/A	SHEET: 1/1	PROJECTION	REV. : A2
	1	2	3	4	5	6	7	8	9	