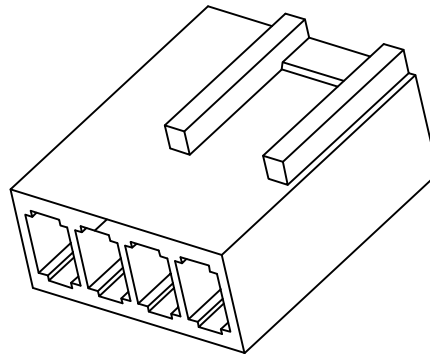
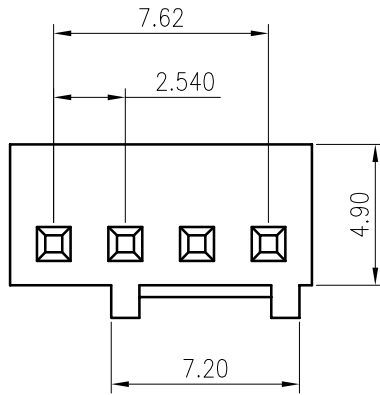


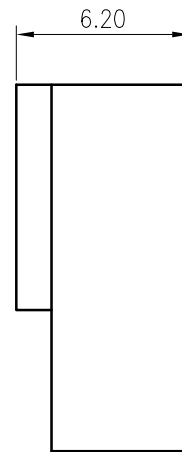
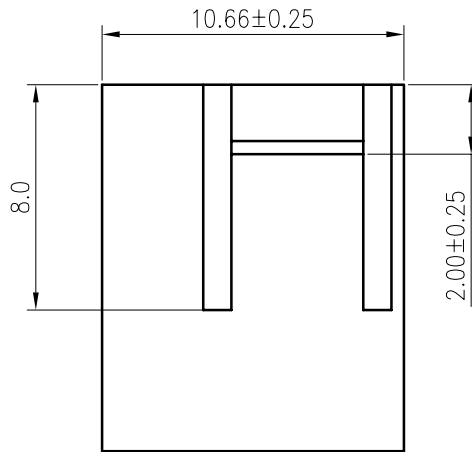
RoHS
COMPLIANT



SPECIFICATIONS

1. Current rating: 4A AC, DC
2. Voltage rating: 250V AC, DC
3. Temperature range: -40°C ~ +105°C
4. Insulation resistance: 1000MΩ Min.
5. Withstanding voltage: 1000V AC/ minute.
6. Contact resistance: 10mΩ Max.

Material: PA66 UL 94V-0
Suitable KR2540 series terminal
Mate with KR2540 series wafer



F	A3				TOLERANCE		TITLE:		DRAWN: Liujingtian 2020.5.12		KONNRA 东莞市康瑞电子有限公司 DongGuan Konnra Electronics Co., Ltd.	
	A2	更改料号及图框格式	LJT	2020.05.12	X. X ±0.30	MX2510 Housing		CHECKED:				
					X. XX ±0.20	4P 错位		APPROVED:		PART NO. : H254001042202A		
	MARK	REVISION DESCRIPTION	SIGNATURE	DATE	X. XXX ±0.10	Angle ±2°	UNIT: mm	SCALE: N/A	SHEET: 1/1	PROJECTION	REV. : A2	DRAWING NO. : 2540H102-A-S
1	2	3	4	5	6	7	8	9				