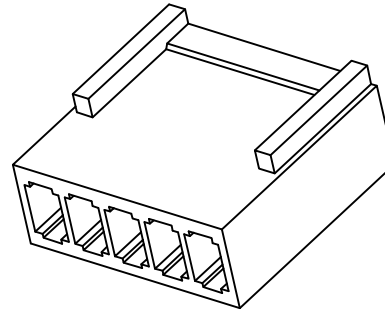
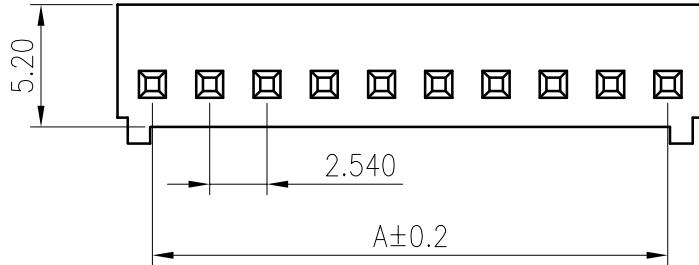


RoHS  
COMPLIANT



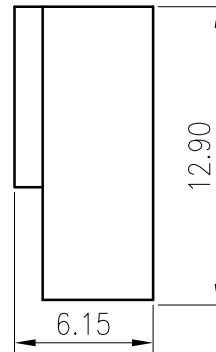
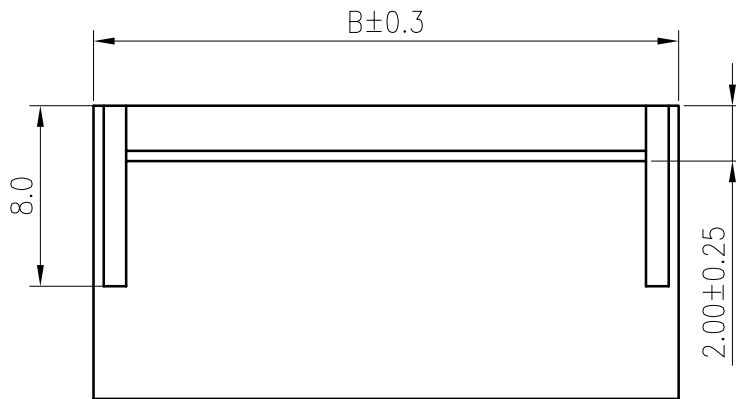
**SPECIFICATIONS**

1. Current rating: 3A AC, DC
2. Voltage rating: 250V AC, DC
3. Temperature range: -40°C ~ +105°C
4. Insulation resistance: 1000MΩ/ min.
5. Withstanding voltage: 1000V AC/ minute.
6. Contact resistance: 20mΩ/ max.

Material: PA66 UL 94V-0  
Suitable KR2540 series terminal  
Mate with KR2540 series wafer

Ordering Code:

H25400 \*\*\* \*\* 01A  
No. of Circuits ————  
102:2, 115:15  
Insulator Material ————  
22: PA66 Beige V0



Circuits	Dimensions		Circuits	Dimensions	
	A	B		A	B
2	2.54	5.63	9	20.32	23.41
3	5.08	8.17	10	22.86	25.95
4	7.62	10.71	11	25.40	28.49
5	10.16	13.25	12	27.94	31.03
6	12.70	15.79	13	30.48	33.57
7	15.24	18.33	14	33.02	36.11
8	17.78	20.87	15	35.56	38.65

△4				TOLERANCE	TITLE:	DRAWN: Arvin 2020.04.30	KONNRA 东莞市康瑞电子有限公司 DongGuan Konnra Electronics Co., Ltd. PART NO. : H25400***2201A
△3				X. X ±0.30	MK 2510 Housing	CHECKED:	
△2	更改料号及图框格式	Arvin	2020.04.30	X. XX ±0.20	长靠背	APPROVED:	
MARK	REVISION DESCRIPTION	SIGNATURE	DATE	X. XXX ±0.10	UNIT: mm	SHEET: 1/1	
				Angle ±2°	SCALE: N/A	PROJECTION	DRAWING NO. : 2540H101-A-S