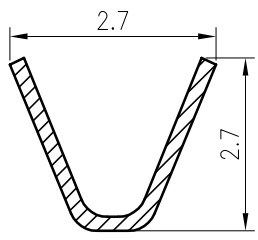
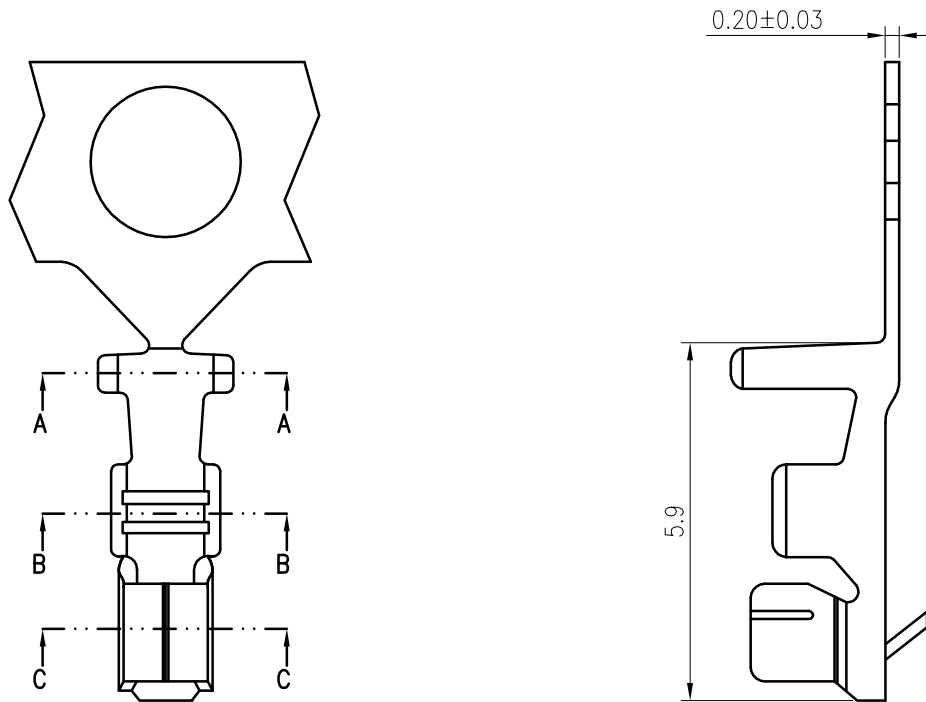
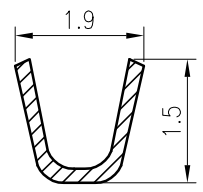


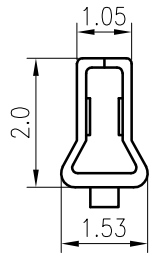
RoHS  
COMPLIANT



SECTION A--A



SECTION B--B



SECTION C--C

**SPECIFICATIONS**

1. Current rating: 3A AC, DC
2. Voltage rating: 250V AC,DC
3. Temperature range: -40°C ~ +105°C
4. Insulation resistance: 1000MΩ Min.
5. Withstanding voltage: 800V AC/ minute.
6. Contact resistance: 20mΩ Max.

**Applicable Wires:**

AWG#22~#24

Insulation O.D. : 1.90mm MAX

Material: Phosphor Bronze

Finish: Tin plated over nickel

Suitable KR2504 series housing

Q'ty/reel: 10,000 PCS

F					TOLERANCE X.X ±0.30 X.XX ±0.20 X.XXX ±0.10 Angle ±2°	TITLE: EH2.5 Terminal	DRAWN: Liujiangtian 2020.5.05		KONNRA 东莞市康瑞电子有限公司		
		更改料号及图框格式	LJT	2020.05.05			CHECKED:		DongGuan Konnra Electronics Co., Ltd.		
MARK	REVISION DESCRIPTION	SIGNATURE	DATE	UNIT: mm	SCALE: N/A	SHEET: 1/1	PROJECTION	REV. : A2	PART NO. : T25040PT0101B		
1	2	3	4	5	6	7	8	9	DRAWING NO. : 2504T101-B-S		