

RoHS
COMPLIANT

◆ SPECIFICATIONS

- Current rating: 3A AC, DC
- Voltage rating: 250V AC, DC
- Temperature range: -25°C ~ +85°C
- Insulation resistance: 1000MΩ Min.
- Withstanding voltage: 1000V AC/ minute.
- Contact resistance: 20mΩ Max.

Material:

Insulator: PA9T UL 94V-0

Contact: Brass

Plating: Tin plated over Nickel

Circuits: 2~16

Mates: KR2502 series Housing

Ordering code:

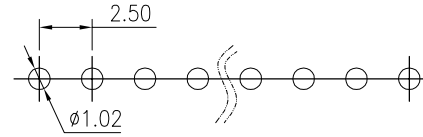
C2502VD1**11T0101PA

① ②

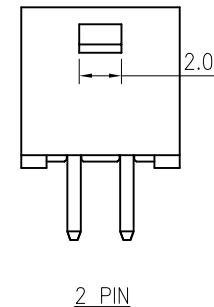
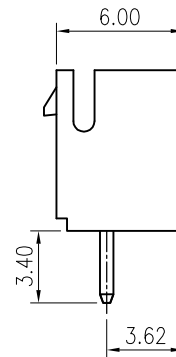
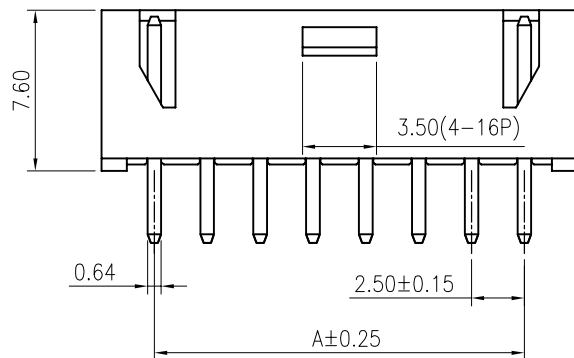
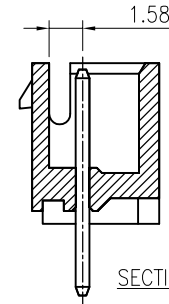
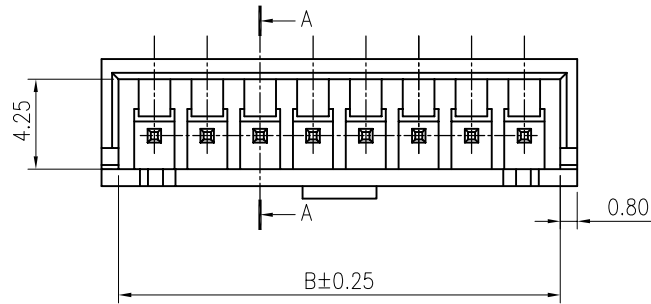
① Circuits: 102=2P 116=16P

② Material:

11:PA9T Natural



Recommended P.C.B. Layout
Total tolerance: ±0.05mm



PIN NO.	DIMENSIONS	
	A	B
02P	2.50	5.90
03P	5.00	8.40
04P	7.50	10.90
05P	10.00	13.40
06P	12.50	15.90
07P	15.00	18.40
08P	17.50	20.90
09P	20.00	23.40
10P	22.50	25.90
11P	25.00	28.40
12P	27.50	30.90
13P	30.00	33.40
14P	32.50	35.90
15P	35.00	38.40
16P	37.50	40.90

△3				TOLERANCE	TITLE:	DRAWN: 谭亮雄2020.01.16	KONNRA 东莞市康瑞电子有限公司 DongGuan Konnra Electronics Co.,Ltd.
△2				X.X ±0.30	XH2.5 带扣 DIP 180°	CHECKED:	
△1	更改料号及图框格式	Arvin	2020.01.16	X.XX ±0.20	WF	APPROVED:	
LTR	REVISION DESCRIPTION	SIGNATURE	DATE	X.XXX ±0.10	UNIT: mm	SHEET: 1/1	PART NO.: C2502VD1**11T0101PA
				Angle ±2°	SCALE: N/A	PROJECTION	VER.: A1