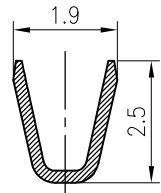
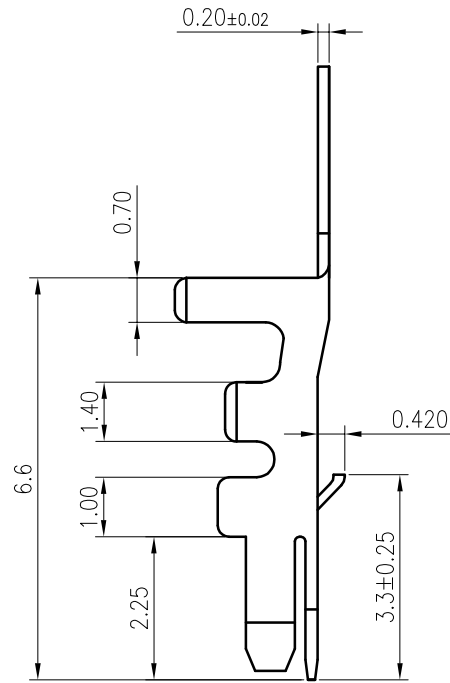
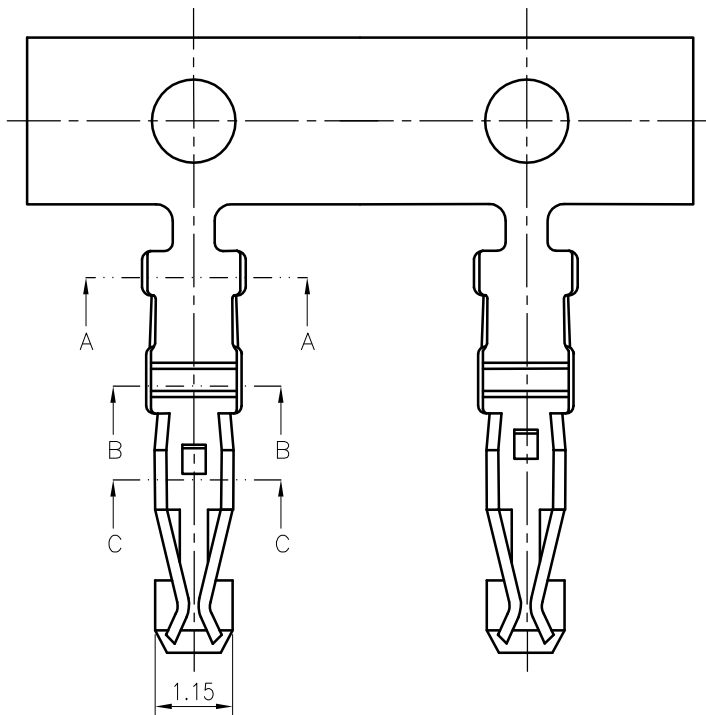
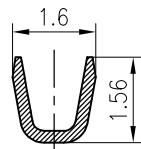


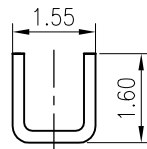
RoHS
COMPLIANT



SECTION A-A



SECTION B-B



SECTION C-C

SPECIFICATIONS

1. Current rating: 3A AC, DC
2. Voltage rating: 250V AC, DC
3. Temperature range: -40°C ~ +105°C
4. Insulation resistance: 1000MΩ/ min.
5. Withstanding voltage: 800V AC/ minute.
6. Contact resistance: 20mΩ/ max.

Applicable Wires:

AWG#22~#26

Insulation O.D. : 1.50mm MAX

Material: Phosphor Bronze

Finish: Tin plated over Nickel

Suitable: KR2014 series Housing

Qty/reel: 15,000PCS

F	△4				TOLERANCE X. X ±0.30 X. XX ±0.20 X. XXX ±0.10 Angle ±2°	TITLE: PA2.0 Terminal	DRAWN: Arvin 2020.05.07		KONNRA 东莞市康瑞电子有限公司		
	△3						CHECKED:		DongGuan Konnra Electronics CO., LTD		
	△2	更改料号及图框格式	Arvin	2020.05.07			APPROVED:		PART NO. : T2014OPT0101A		
	MARK	REVISION DESCRIPTION	SIGNATURE	DATE			UNIT: mm	SCALE: N/A	SHEET: 1/1	PROJECTION	VER. : A2
	1	2	3	4	5	6	7	8	9		