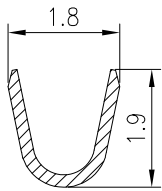
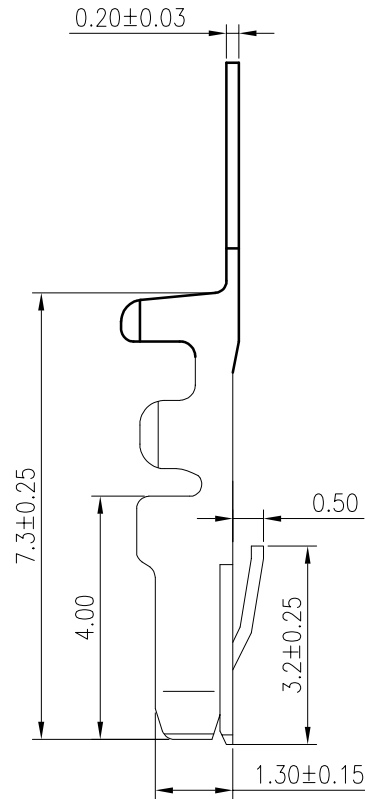
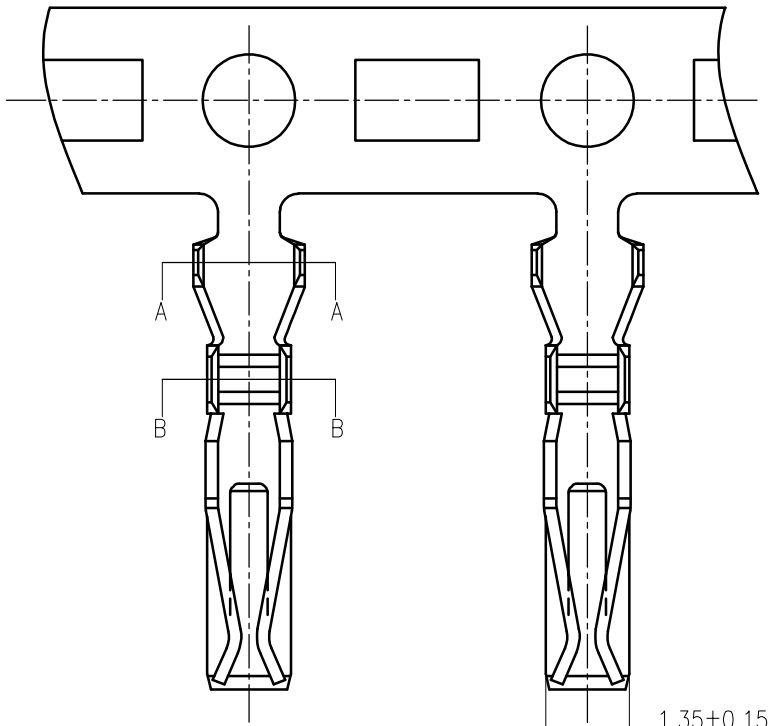
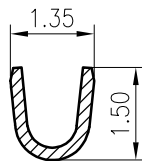


RoHS  
COMPLIANT



Section A-A



Section B-B

**SPECIFICATIONS**

1. Current rating: 2A AC, DC
2. Voltage rating: 250V AC, DC
3. Temperature range: -40°C ~ +105°C
4. Insulation resistance: 1000MΩ Min.
5. Withstanding voltage: 800V AC/ minute.
6. Contact resistance: 20mΩ Max.

**Applicable Wires:**

AWG#22-#28  
Insulation O.D. : 1.50mm MAX

Material: Phosphor Bronze  
Plating: Tin plated over nickel  
Suitable KR2012 series housing  
Q'ty/reel: 12,000 PCS

F	A3			TOLERANCE	TITLE: PHB 2.0 Terminal		DRAWN: Liujiangtian 2020.05.04		KONNRA 东莞市康瑞电子有限公司	
				X. X ±0.30			CHECKED:		DongGuan Konnra Electronics Co., Ltd.	
	A2	更改料号及图框格式	LJT	2020.05.04	X. XX ±0.20			APPROVED:		PART NO. : T2012OPT0101B
MARK	REVISION DESCRIPTION		SIGNATURE	DATE	Angle ±2°	UNIT: mm	SCALE: N/A	SHEET: 1/1	PROJECTION	REV. : A2 DRAWING NO. : 2012T101-B-S
	1	2	3	4	5	6	7	8	9	