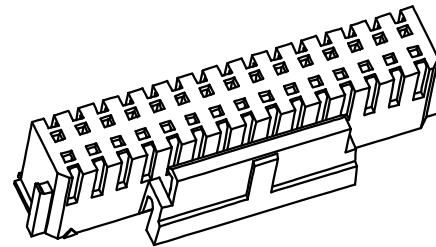
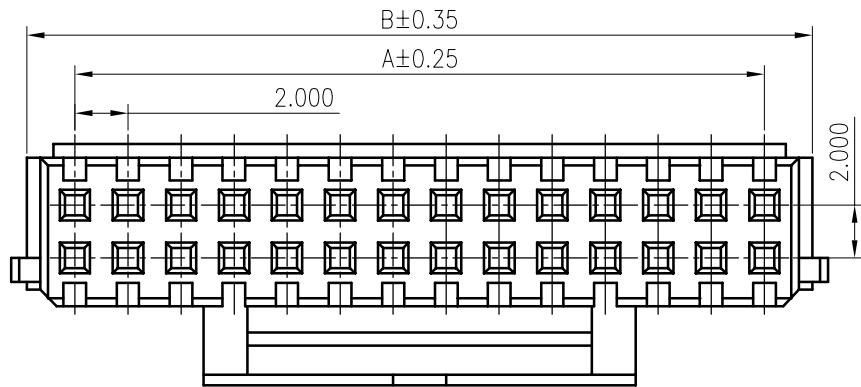


RoHS  
COMPLIANT



**SPECIFICATIONS**

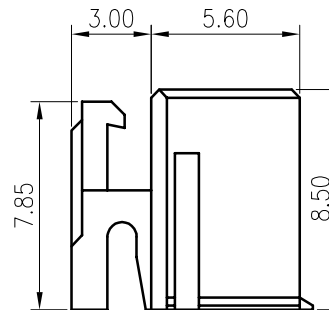
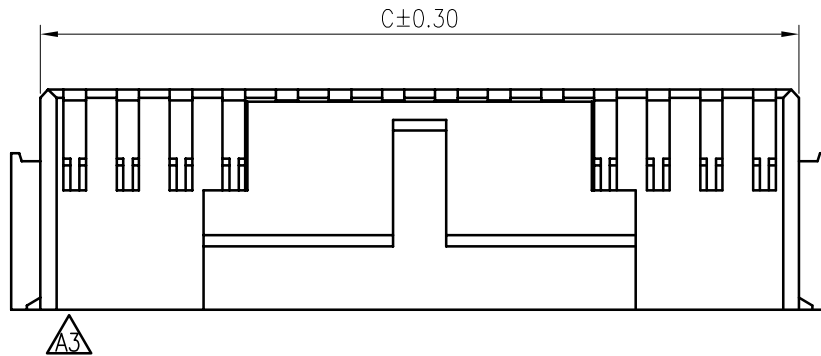
1. Current rating: 2A AC, DC
2. Voltage rating: 250V AC, DC
3. Temperature range: -40°C ~ +105°C
4. Insulation resistance: 1000MΩ Min.
5. Withstanding voltage: 800V AC/ minute.
6. Contact resistance: 20m Ω Max.

Material: Nylon 66 UL 94V-0  
Suitable KR2012 series terminal  
Mate with KR2012 series wafer  
Ordering Code:

H20120 \*\*\* 01 01B

No. of Circuits  
202:2\*2, 220:2\*20

Insulator Material  
01:PA66 White V0



Circuits	Dimensions			Circuits	Dimensions		
	A	B	C		A	B	C
2x2	2.00	5.60	4.60	2x12	22.00	25.60	24.60
2x3	4.00	7.60	6.60	2x13	24.00	27.60	26.60
2x4	6.00	9.60	8.60	2x14	26.00	29.60	28.60
2x5	8.00	11.60	10.60	2x15	28.00	31.60	30.60
2x6	10.00	13.60	12.60	2x16	30.00	33.60	32.60
2x7	12.00	15.60	14.60	2x17	32.00	35.60	34.60
2x8	14.00	17.60	16.60	2x18	34.00	37.60	36.60
2x9	16.00	19.60	18.60	2x19	36.00	39.60	38.60
2x10	18.00	21.60	20.60	2x20	38.00	41.60	40.60
2x11	20.00	23.60	22.60				

F				TOLERANCE	TITLE: PHB2.0 Housing	DRAWN: Liujiangtian 2020.05.04		KONNRA 东莞市康瑞电子有限公司 DongGuan Konnra Electronics Co., Ltd.		
		依实物更正视图(取消三角符号)	Arvin	2021.01.11		CHECKED:				
		更改料号及图框格式	LJT	2020.05.04		APPROVED:				PART NO. : H20120***0101B
MARK	REVISION DESCRIPTION	SIGNATURE	DATE	Angle ±2°	UNIT: mm	SCALE: N/A	SHEET: 1/1	PROJECTION	REV. : A3	DRAWING NO. : 2012H101-B-S
1	2	3	4	5	6	7	8	9		