

RoHS
COMPLIANT

SPECIFICATIONS

1. Current rating: 3A AC, DC
2. Voltage rating: 125V AC,DC
3. Temperature range: -40°C ~ +105°C
4. Insulation resistance: 1000MΩ Min.
5. Withstanding voltage: 1000V AC/ minute.
6. Contact resistance: 20m Ω Max.

Material:

Insulator: PA66 UL 94V-0

Contact: Brass

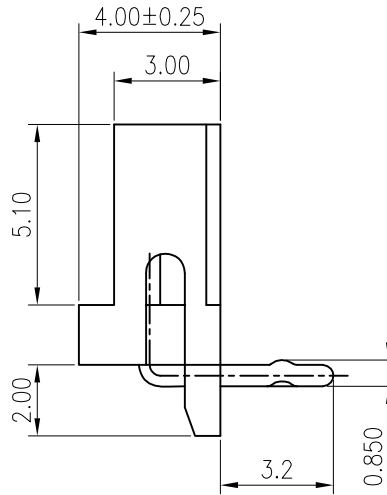
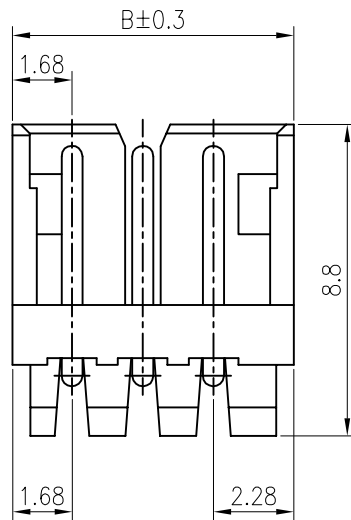
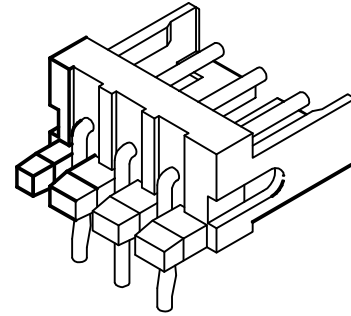
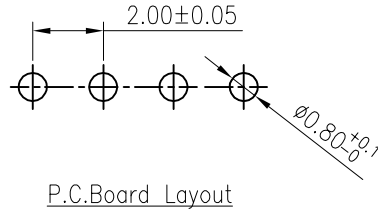
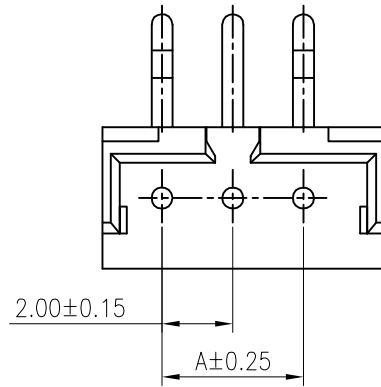
Plating: Tin plated over nickel

Mate with KR2008 series housing

Ordering Code:

C2008RD *** 01T0101PB

No.of Circuits
102:2,115:15



Circuits	Dimensions	
	A	B
2	2.00	5.96
3	4.00	7.96
4	6.00	9.96
5	8.00	11.96
6	10.00	13.96
7	12.00	15.96
8	14.00	17.96
9	16.00	19.96
10	18.00	21.96
11	20.00	23.96
12	22.00	25.96
13	24.00	27.96
14	26.00	29.96
15	28.00	31.96

F	A3			TOLERANCE	TITLE: AMP 2.0 DIP 90° Wafer	DRAWN: Liujiangtian 2020.05.04		KONNRA 东莞市康瑞电子有限公司		
				X. X ±0.30		CHECKED:		DongGuan Konnra Electronics Co., Ltd.		
	A2	更改料号及图框格式	LJT	2020.05.04	X. XX ±0.20	APPROVED:		PART NO.: C2008RD***01T0101PB		
MARK	REVISION DESCRIPTION	SIGNATURE	DATE	Angle ±2°	UNIT: mm	SCALE: N/A	SHEET: 1/1	PROJECTION	REV.: A2	DRAWING NO.: 2008WRD101-B-S
1	2	3	4	5	6	7	8	9		