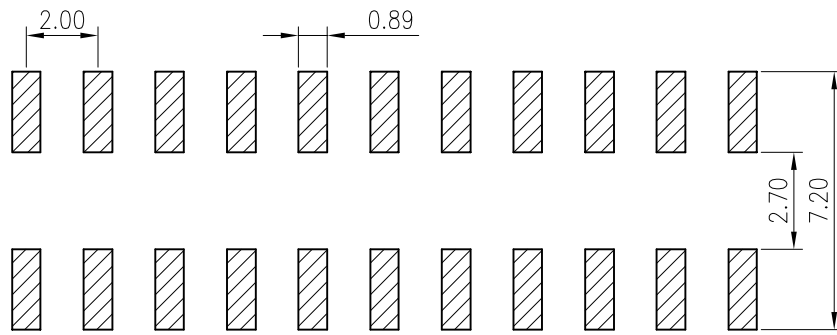
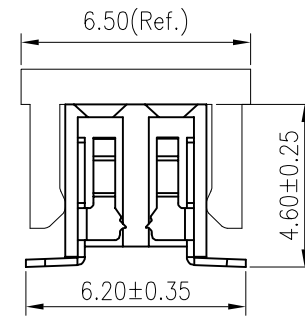
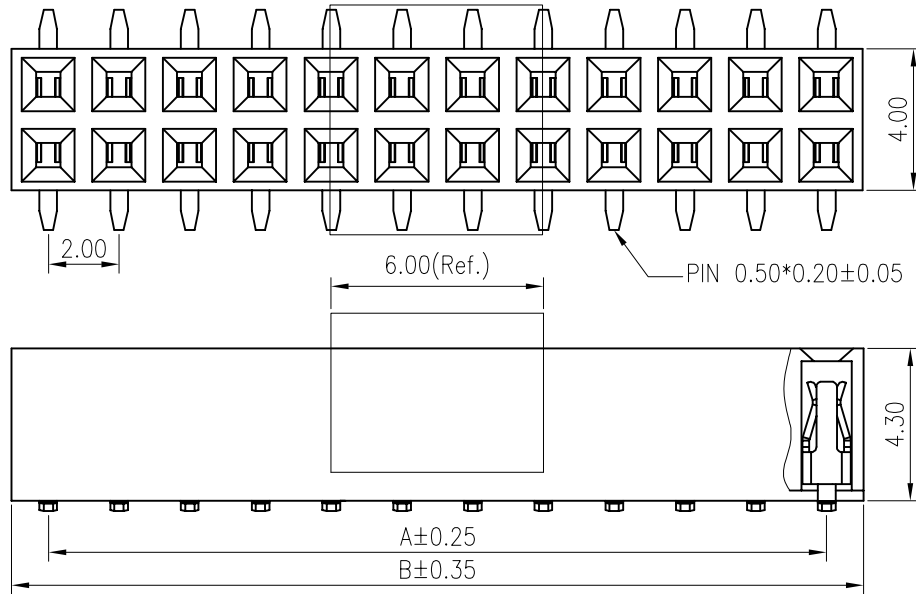


**RoHS**  
COMPLIANT



Recommended P.C.B. Layout  
Total tolerance:±0.05mm

**SPECIFICATIONS**

1. Current rating: 2A AC, DC
2. Voltage rating: 250V AC,DC
3. Temperature range: -40°C ~ +105°C
4. Insulation resistance: 1000MΩ Min.
5. Withstanding voltage: 1000V AC/ minute.
6. Contact resistance: 20mΩ Max.

**Material:**

Insulator:PA6T UL 94V-0  
Contact: Phosphor bronze  
Plating: Gold flash over Nickel  
Mate with KR2006 series pin header

**Ordering Code:**

C2006FS \*\*\* 10G0101RE

No.of Circuits  
202:2x2,240:2x40

$A=2.00 \times (\text{Circuits}/2-1)$   
 $B=A+2.50$

F					<b>TOLERANCE</b> X. X ±0.30 X. XX ±0.20 X. XXX ±0.10 Angle ±2°	<b>TITLE:</b> DP2.0 SMF 180° 排母 H4.3 PC6.2	DRAWN: Arvin 2020.09.04		KONNRA 东莞市康瑞电子有限公司		
							CHECKED:		DongGuan Konnra Electronics Co., Ltd.		
							APPROVED:		PART NO.: C2006FS***10G0101RE		
MARK	REVISION DESCRIPTION	SIGNATURE	DATE	UNIT: mm	SCALE: N/A	SHEET: 1/1	PROJECTION	REV.: A1	DRAWING NO.: 2006WFVS201-E-S		
1	2	3	4	5	6	7	8	9			