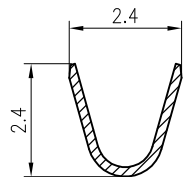
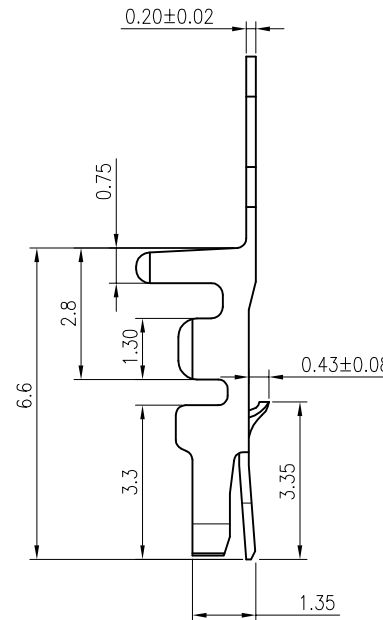
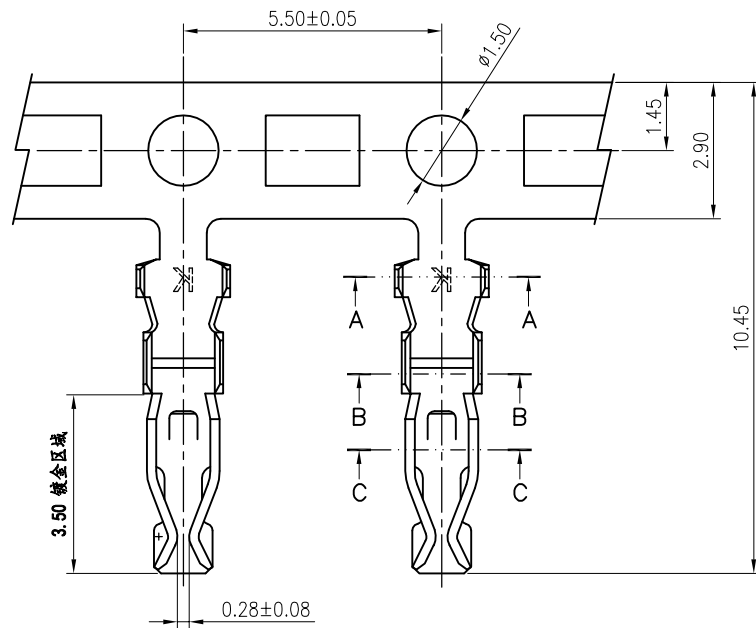
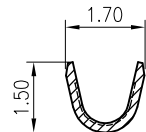


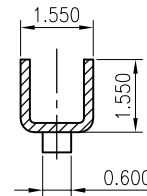
RoHS
COMPLIANT



SECTION A-A



SECTION B-B



SECTION C-C

SPECIFICATIONS

1. Current rating: 3A AC, DC
2. Voltage rating: 250V AC, DC
3. Temperature range: -40°C ~ +105°C
4. Insulation resistance: 1000MΩ/ min.
5. Withstanding voltage: 800V AC/ minute.
6. Contact resistance: 20mΩ/ max.

Material: Phosphor Bronze

Plating: Tin plated over nickel

Applicable wire:

Conductor size: AWG#24~#28

Insulation O.D.: 0.9~1.40mm

Suitable: KR2005/KR2014 series Housing

Q'ty/reel: 10,000pcs

Ordering Code:

T20050P***01A

S00: 素材

T01: 镀锡

B04: 镀半金5u"

B08: 镀半金2u"

△4				TOLERANCE X.X ±0.3 X.XX ±0.2 X.XXX ±0.1 Angle ±2°	TITLE: PHD/PA2.0 Terminal	DRAWN: TLX 2020.05.14		KONNRA 东莞市康瑞电子有限公司	
△3			CHECKED:			DongGuan Konnra Electronics Co., Ltd.			
△2	更改料号及图框格式	TLX	2020.05.14			APPROVED:		PART NO. : T20050P***01A	
MARK	REVISION DESCRIPTION	SIGNATURE	DATE			UNIT: mm	SCALE: N/A	SHEET: 1/1	PROJECTION