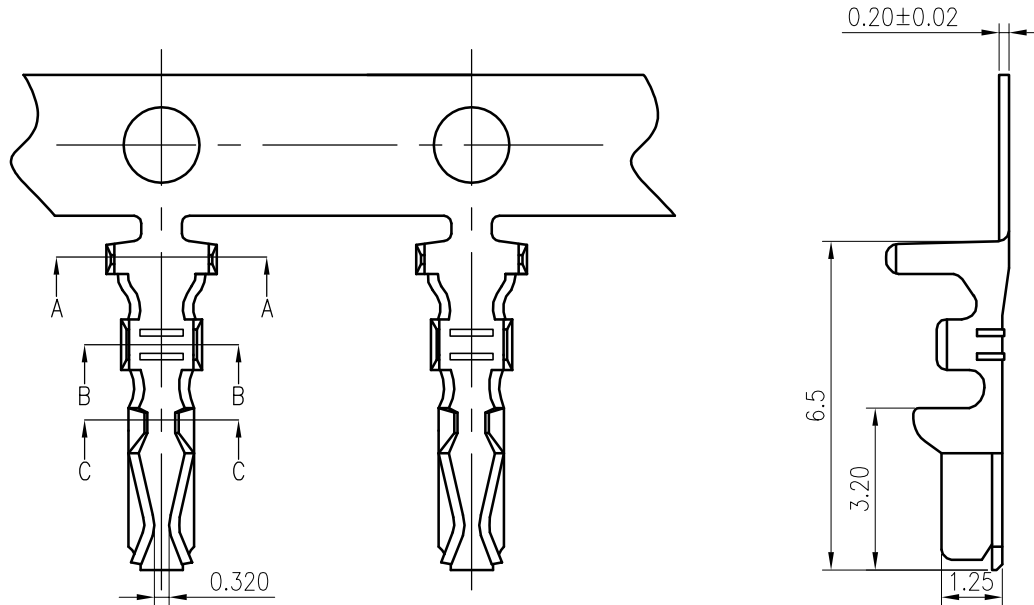


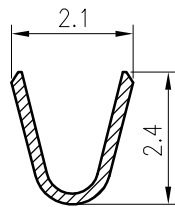
RoHS
COMPLIANT



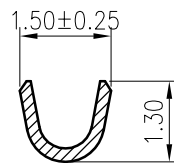
SPECIFICATIONS

1. Current rating: 2A AC, DC
2. Voltage rating: 250V AC,DC
3. Temperature range: -40°C ~ +105°C
4. Insulation resistance: 1000MΩ Min.
5. Withstanding voltage: 1000V AC/ minute.
6. Contact resistance: 20mΩ Max.

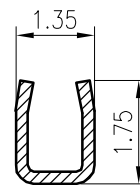
Material: Phosphor Bronze
 Plating: Tin plated over Nickel
 Applicable wire:
 AWG #28~#22
 Insulation O.D.: 1.3 To 1.6mm
 Suitable: KR2004 series Housing
 Qty/reel: 10,000PCS



SECTION A-A



SECTION B-B



SECTION C-C

| | | | | | | | | | | | |
|---|-------------|-----------------------------|------------------|-------------|----------------------------------------------------------------------------|-----------------------------------|--------------------------------|-------------------|---------------------------------------|-------------------|------------------|
| F | | | | | TOLERANCE X. X ±0.30 X. XX ±0.20 X. XXX ±0.10 Angle ±2° | TITLE: PH2.0带扣 Terminal | DRAWN: Arvin 2021.03.01 | | KONNRA 东莞市康瑞电子有限公司 | | |
| | | | | | | | CHECKED: | | DongGuan Konnra Electronics Co., Ltd. | | |
| | | 更改料号及图框格式 | Arvin | 2021.03.01 | | | APPROVED: | | PART NO. : T2004FPT0101B | | |
| | MARK | REVISION DESCRIPTION | SIGNATURE | DATE | | | UNIT: mm | SCALE: N/A | SHEET: 1/1 | PROJECTION | REV. : A2 |
| | 1 | 2 | 3 | 4 | 5 | 6 | 7 | 8 | 9 | | |