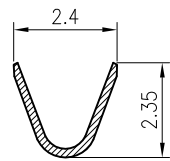
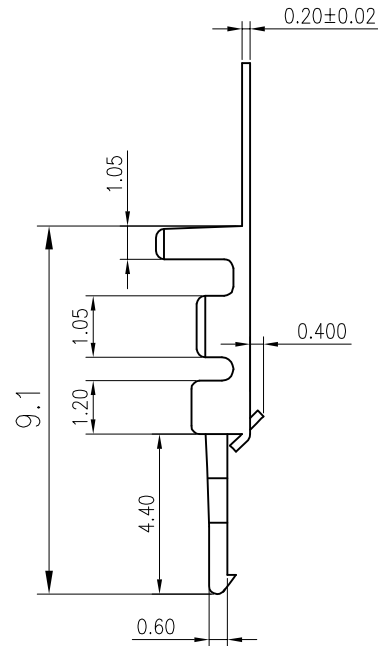
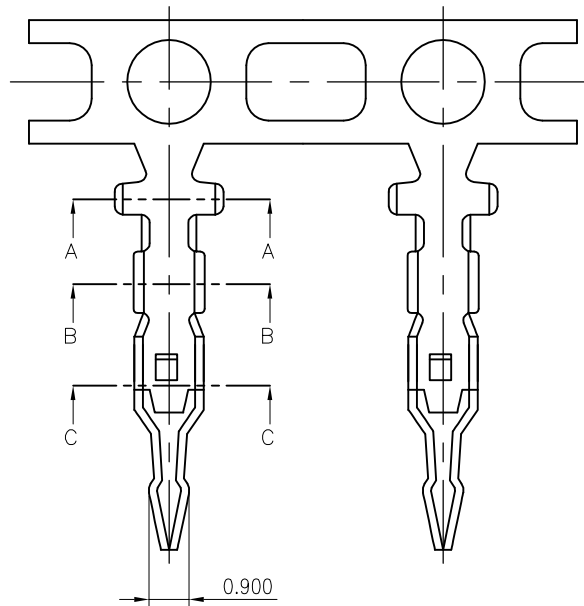
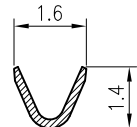


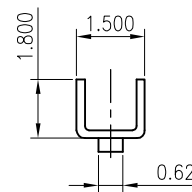
RoHS
COMPLIANT



SECTION A-A



SECTION B-B



SECTION C-C

SPECIFICATIONS

1. Current rating: 2A AC, DC
2. Voltage rating: 250V AC,DC
3. Temperature range: -40°C ~ +105°C
4. Insulation resistance: 1000MΩ/ min.
5. Withstanding voltage: 800V AC/ minute.
6. Contact resistance: 20mΩ/ max.

Material: Brass

Plating: Tin plated over Nickel

Applicable wires:

AWG #24~#28

Insulation O.D.: 1.4mm Max.

Suitable KR2003 series housing

Q'ty/reel: 10,000PCS

F				TOLERANCE X. X ±0.30 X. XX ±0.20 X. XXX ±0.10 Angle ±2°	TITLE: SAN2.0 180° Terminal	DRAWN: Arvin 2020.05.23		KONNRA 东莞市康瑞电子有限公司			
		更改料号及图框格式	Arvin			2020.05.23	CHECKED:		DongGuan Konnra Electronics CO., LTD		
		增加重点尺寸标示	Arvin			2018.03.30	APPROVED:		PART NO. : T2003VBT0101B		
	MARK	REVISION DESCRIPTION	SIGNATURE			DATE	UNIT: mm	SCALE: N/A	SHEET: 1/1	PROJECTION	VER. : A3
	1	2	3	4	5	6	7	8	9		