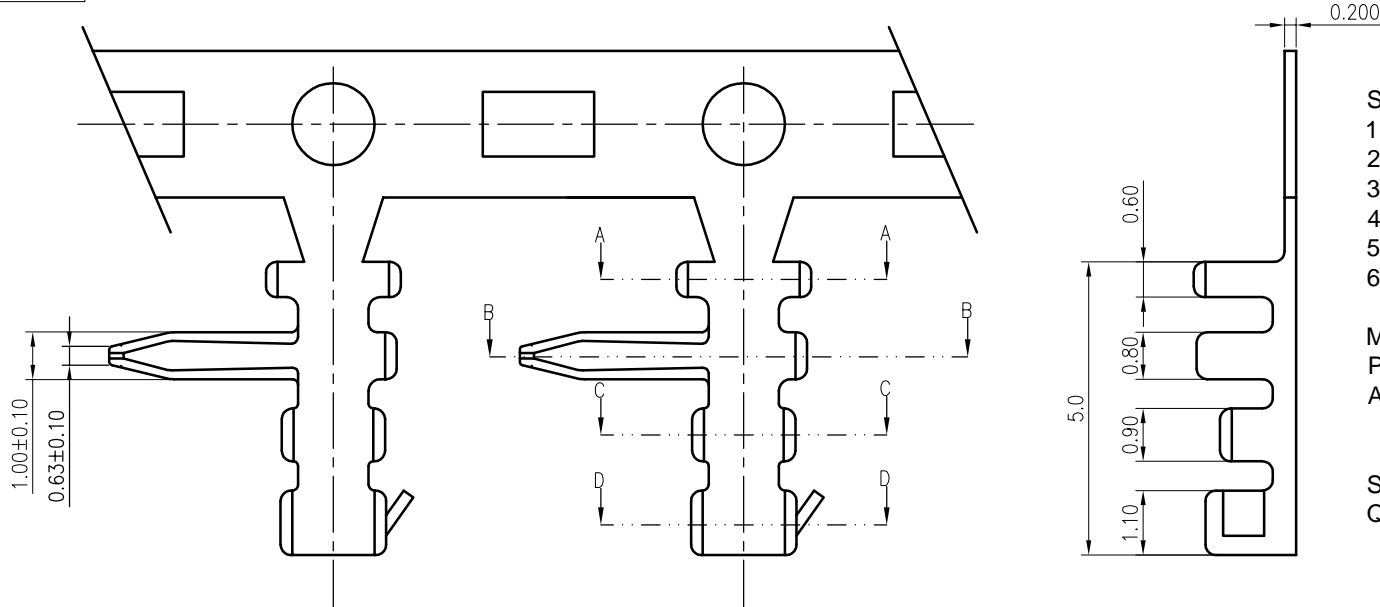


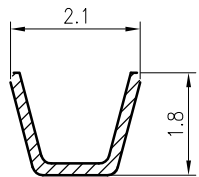
RoHS
COMPLIANT



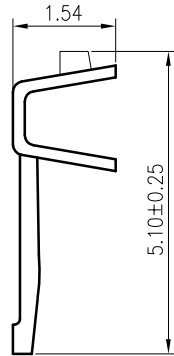
SPECIFICATIONS

1. Current rating: 2A AC, DC
2. Voltage rating: 250V AC,DC
3. Temperature range: -40°C ~ +105°C
4. Insulation resistance: 1000MΩ/ min.
5. Withstanding voltage: 800V AC/ minute.
6. Contact resistance: 20mΩ/ max.

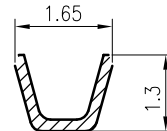
Material: Brass
 Plating: Tin plated over Nickel
 Applicable wires:
 AWG #24~#28
 Insulation O.D.: 1.4mm Max.
 Suitable KR2003 series housing
 Q'ty/reel: 10,000PCS



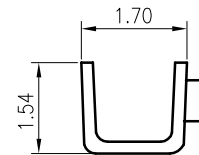
SECTION A-A



SECTION B-B



SECTION C-C



SECTION D-D

F	△4			TOLERANCE X.X ±0.30 X.XX ±0.20 X.XXX ±0.10 Angle ±2°	TITLE: SAN2.0 90° Terminal	DRAWN: Arvin 2020.05.23	KONNRA 东莞市康瑞电子有限公司			
	△3	更改料号及图框格式	Arvin			2020.05.23	CHECKED:	DongGuan Konnra Electronics CO., LTD		
	△2	增加重点尺寸标示	Arvin			2017.09.18	APPROVED:	PART NO.: T2003RBT0101A		
	MARK	REVISION DESCRIPTION	SIGNATURE			DATE	UNIT: mm	SCALE: N/A	SHEET: 1/1	PROJECTION
	1	2	3	4	5	6	7	8	9	