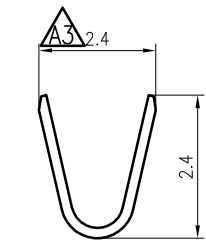
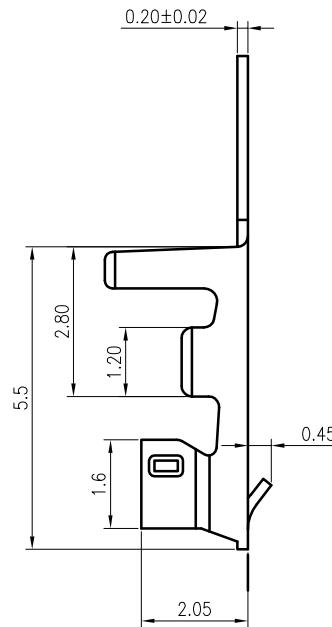
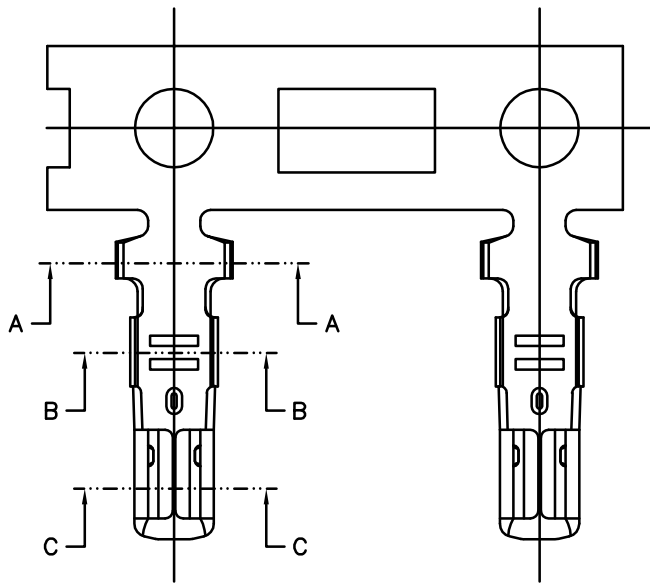
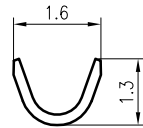


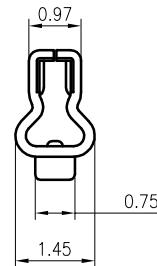
RoHS
COMPLIANT



SECTION A-A



SECTION B-B



SECTION C-C

◆ SPECIFICATIONS

- Current rating: 2A AC, DC
- Voltage rating: 100V AC, DC
- Temperature range: -25°C ~ +85°C
- Insulation resistance: 1000MΩ Min.
- Withstanding voltage: 800V AC/ minute.
- Contact resistance: 20mΩ Max.

Material: Phosphor Bronze or brass

Plating: Tin-plated over nickel

Applicable wires:

AWG #28~#24

Insulation O.D.: 1.5mm Max.

Suitable KR2001 series housing

Q'ty/reel: 10,000PCS

F					TOLERANCE X. X ± 0.30 X. XX ± 0.20 X. XXX ± 0.10 Angle ± 2°	TITLE: PH2.0 Terminal	DRAWN: Arvin 2020.04.28		KONNRA 东莞市康瑞电子有限公司		
		依实物更正尺寸规格以相符	Arvin	2020.11.03			CHECKED:		DongGuan Konnra Electronics Co., Ltd.		
		更改料号及图框格式	Arvin	2020.04.28			APPROVED:		PART NO.: T20010PT0101B		
	MARK	REVISION DESCRIPTION	SIGNATURE	DATE			UNIT: mm	SCALE: N/A	SHEET: 1/1	PROJECTION	REV.: A3
	1	2	3	4	5	6	7	8	9		