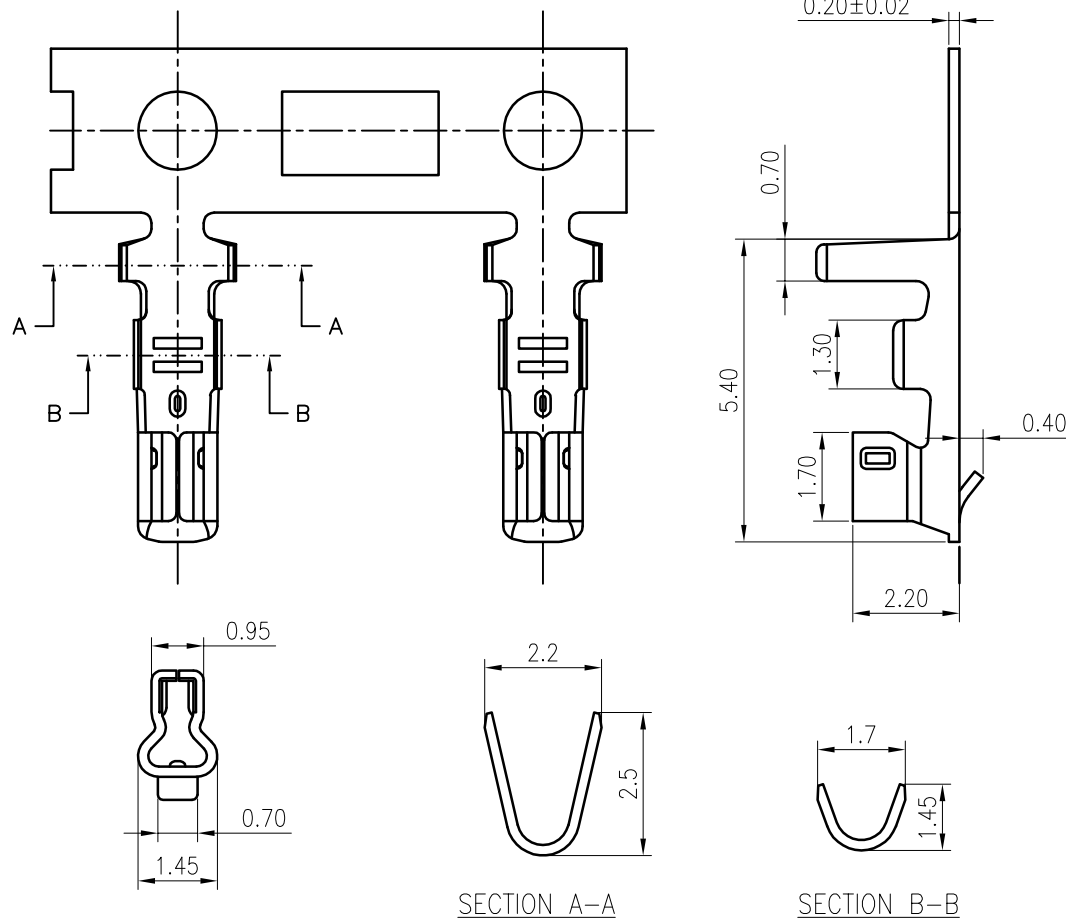


RoHS
COMPLIANT



◆ SPECIFICATIONS

- Current rating: 2A AC, DC
- Voltage rating: 100V AC, DC
- Temperature range: -25°C ~ +85°C
- Insulation resistance: 1000MΩ Min.
- Withstanding voltage: 800V AC/ minute.
- Contact resistance: 20mΩ Max.

Material: Phosphor Bronze or brass

Plating: Tin-plated over nickel

Applicable wires:

AWG #28~#24

Insulation O.D.: 1.5mm Max.

Suitable KR2001 series housing

Q'ty/reel: 10,000PCS

Ordering Code:

T20010 P *** 01 01A
 Material P: Phosphor bronze B: Brass
 Type 01: 先冲后镀 02: 先镀后冲
 Plating T01: Tin plated B01: Selective gold plated G03: gold plated 3u" S00: Unplated

F	△4				TOLERANCE X. X ±0.30 X. XX ±0.20 X. XXX ±0.10 Angle ±2°	TITLE: PH2.0 Terminal	DRAWN: Arvin 2020.04.28		KONNRA 东莞市康瑞电子有限公司		
	△3						CHECKED:		DongGuan Konnra Electronics Co., Ltd.		
	△2	更改料号及图框格式	Arvin	2020.04.28			APPROVED:		PART NO.: T20010*****A		
	MARK	REVISION DESCRIPTION	SIGNATURE	DATE			UNIT: mm	SCALE: N/A	SHEET: 1/1	PROJECTION	REV.: A2
	1	2	3	4		5	6	7	8	9	