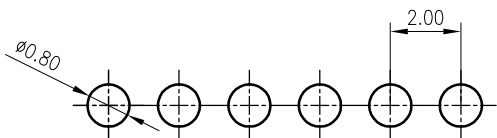
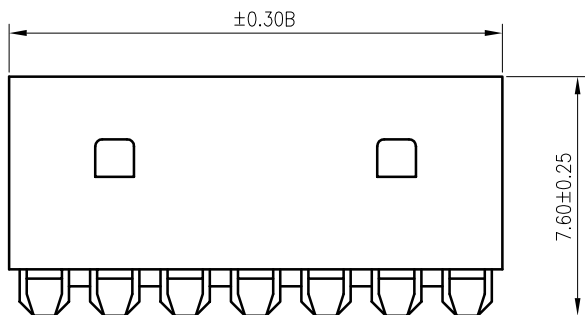
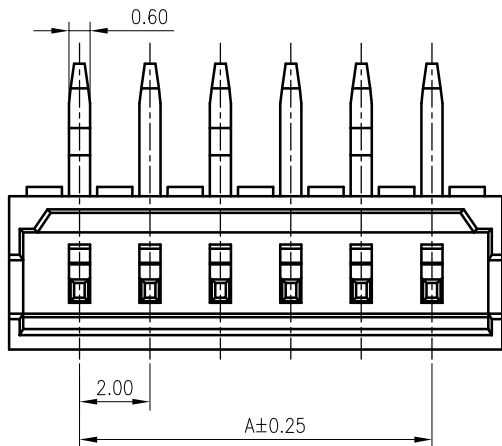
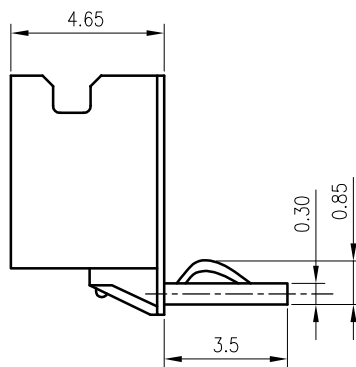
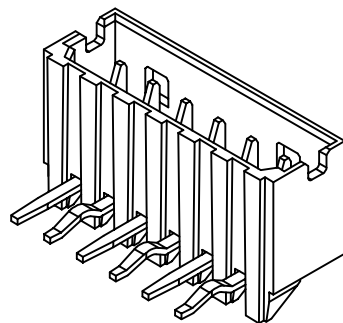


RoHS
COMPLIANT



Recommended P.C.B. Layout
Total tolerance: ±0.05mm



SPECIFICATIONS

1. Current rating: 2A AC, DC
2. Voltage rating: 125V AC,DC
3. Temperature range: -40°C ~ +105°C
4. Insulation resistance: 1000MΩ Min.
5. Withstanding voltage: 800V AC/ minute.
6. Contact resistance: 20mΩ Max.

Material:

Insulator: Nylon 66 UL 94V-0
Contact: Brass
Plating: Tin plated over Nickel
Mate with KR2000 series Housing

Ordering Code:

C2000RD *** 22 T01 01 BB

No. of Circuits
102:2,115:15

Circuits	Dimensions	
	A	B
2	2.00	6.00
3	4.00	8.00
4	6.00	10.00
5	8.00	12.00
6	10.00	14.00
7	12.00	16.00
8	14.00	18.00
9	16.00	20.00
10	18.00	22.00
11	20.00	24.00
12	22.00	26.00
13	24.00	28.00
14	26.00	30.00
15	28.00	32.00

F	A3	更改料号及图框格式	LJT	2020.04.29	TOLERANCE		TITLE: MX2.0 DIP 90° Wafer	DRAWN: Liujingtian 2020.4.29		KONNRA 东莞市康瑞电子有限公司 DongGuan Konnra Electronics Co., Ltd.		
					X. X ±0.30	X. XX ±0.20		CHECKED:				
MARK	REVISION DESCRIPTION	SIGNATURE	DATE	Angle ±2°	UNIT: mm	SCALE: N/A	SHEET: 1/1	PROJECTION	REV.: A2	PART NO.: C2000RD***22T0101BB		
1	2	3	4	5	6	7	8	9	DRAWING NO.: 2000WRD101-B-S			