

RoHS
COMPLIANT

SPECIFICATIONS

1. Current rating: 2A AC, DC
2. Voltage rating: 125V AC,DC
3. Temperature range: -40°C ~ +105°C
4. Insulation resistance: 1000MΩ Min.
5. Withstanding voltage: 800V AC/ minute.
6. Contact resistance: 20mΩ Max.

Applicable Wires:

AWG#24~#30

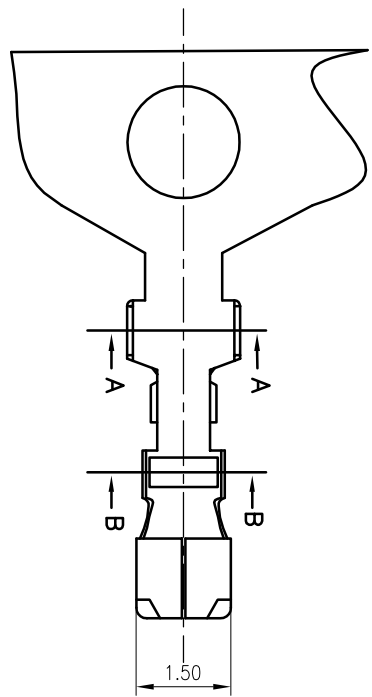
Insulation O.D. : 1.40mm MAX

Material: Phosphor Bronze

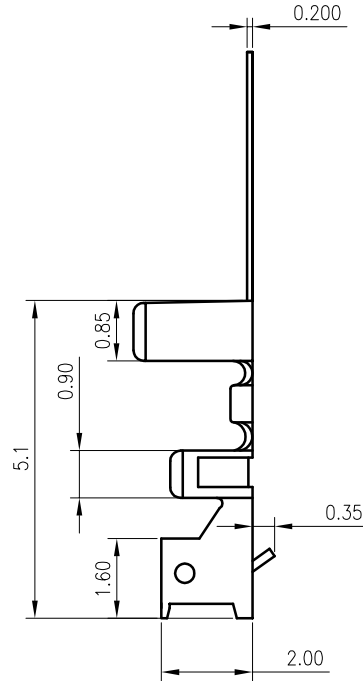
Plating: Tin plated over nickel

Suitable KR2000 series housing

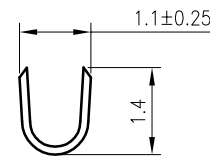
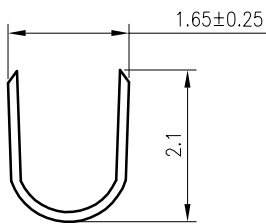
Q'ty/Reel: 10,000 PCS



SECTION A-A



SECTION B-B



F				TOLERANCE	TITLE:	DRAWN: Liujingtian 2020.4.29	KONNRA 东莞市康瑞电子有限公司			
	A3			X.X ±0.30	MX2.0 Terminal	CHECKED:	DongGuan Konnra Electronics Co., Ltd.			
	A2	更改料号及图框格式	LJT	X.XX ±0.20		APPROVED:	PART NO. : T2000OPT0101A			
	MARK	REVISION DESCRIPTION	SIGNATURE	DATE	X.XXX ±0.10	UNIT: mm	SCALE: N/A	SHEET: 1/1	PROJECTION	REV. : A2
	1	2	3	4	5	6	7	8	9	