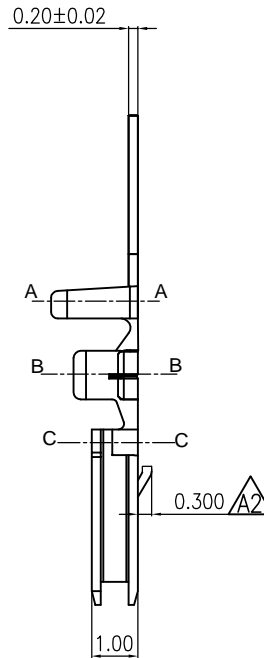
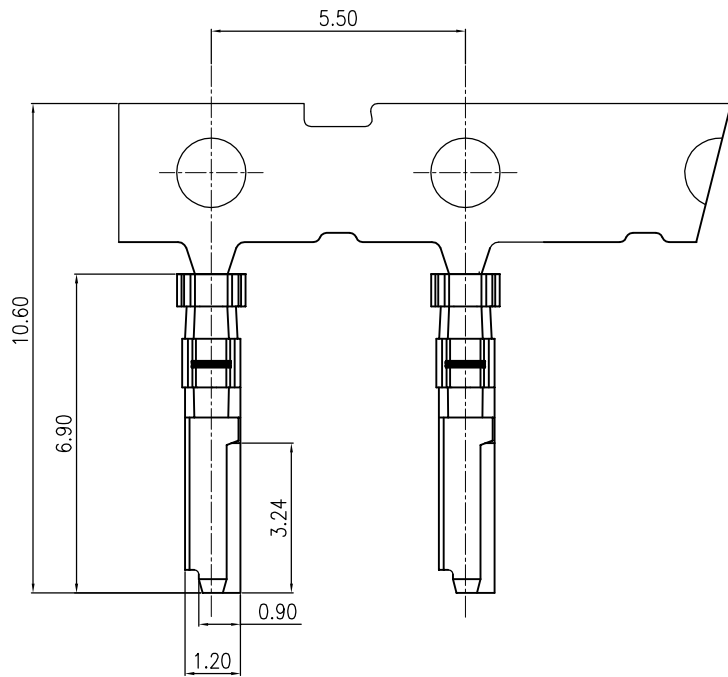


RoHS
COMPLIANT

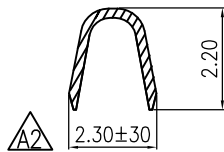


SPECIFICATIONS

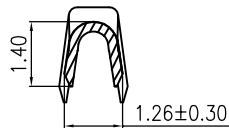
1. Current rating: 3A (AWG #24)AC, DC
2. Voltage rating: 100V AC,DC
3. Temperature range: -40°C ~ +105°C
4. Insulation resistance:500MΩ Min.
5. Withstanding voltage: 500V AC/ minute.
6. Contact resistance: 20mΩ Max.



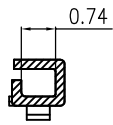
Material: Phosphor Bronze
 Finish: TIN plated over Nickel
 Applicable wires: AWG #24~#28
 Insulation O.D 0.78~1.28 mm
 Qty/reel: 10,000 PCS



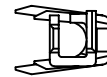
SECTION A-A



SECTION B-B



SECTION C-C



F					TOLERANCE	TITLE:	DRAWN: 谭亮雄2020.01.06	KONNRA'东莞市康瑞电子有限公司		
		更改规格参数+增加尺寸	Arvin	2020.11.20	X.X ±0.30	MK1.5内扣 Terminal	CHECKED:	DongGuan Konnra Electronics CO.,LTD		
		更改料号及图框格式	TLX	2020.01.06	X.XX ±0.20		APPROVED:	PART NO. : T15070PT01A		
	LTR	REVISION DESCRIPTION	SIGNATURE	DATE	X.XXX ±0.10	UNIT: mm	SCALE: N/A	SHEET: 1/1	PROJECTION	VER. : A2
	1	2	3	4	5	6	7	8	9	