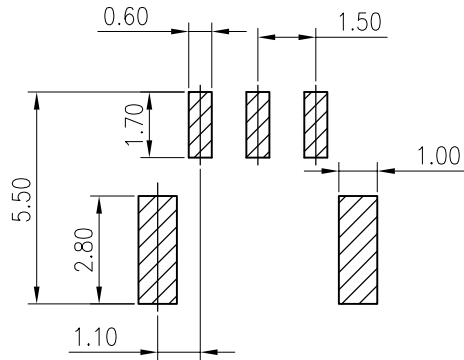
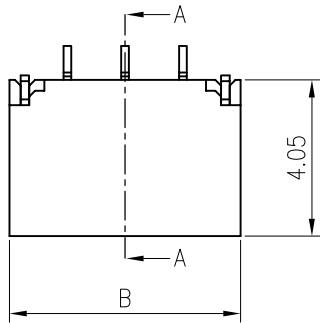
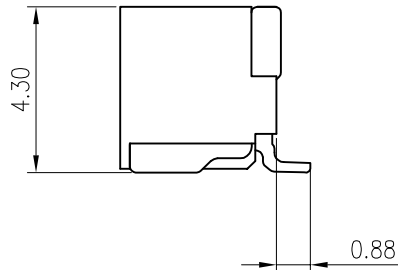
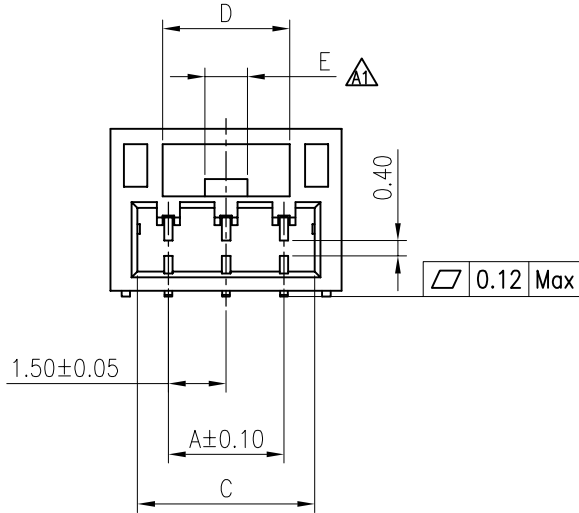


RoHS
COMPLIANT



Recommended P.C.B. Layout
Total tolerance: ±0.05mm




SPECIFICATIONS

Current rating: 1A AC, DC
Voltage rating: 50V AC, DC
Temperature range: -40°C ~ +105°C
Insulation resistance: 100MΩ/ min.
Withstanding voltage: 500V AC/ minute.
Contact resistance: 30mΩ/ max.

Material:

Insulator: PA9T or LCP UL94V-0
Contact: copper alloy
Finish: Matte-tin plated
Mate with KR1506 series housing

Ordering Code:

C1506VS ***11M0101RA 
102: 2P
106: 6P
11: PA9T Natural
13: LCP Natural
M01: Matte-tin plated

6P	7.50	10.90	9.50	6.55	4.35
5P	6.00	9.40	8.00	4.55	2.35
4P	4.50	7.90	6.50		
3P	3.00	6.00	4.60	3.45	1.60
2P	1.50	4.50	3.10	2.20	0.80
PIN数	A	B	C	D	E



MARK

				TOLERANCE	TITLE:	DRAWN: ru yi 2020.03.10	KONNRA 东莞市康瑞电子有限公司 DongGuan Konnra Electronics Co.,Ltd. PART NO. : C1506RS1****M0101RA REV. : A2 DRAWING NO. : 1506WHS01-A-S
	更改料号及图框格式	Ru yi	2020.3.10	X.X ±0.30	GH1.5 SMT 90度 WAFER	CHECKED:	
	修改3P卡扣尺寸, 加强卡扣强度	Ru yi	2018.4.19	X.XX ±0.20		APPROVED:	
	REVISION DESCRIPTION	SIGNATURE	DATE	X.XXX ±0.10		UNIT: mm SCALE: N/A SHEET: 1/1 PROJECTION 	
				Angle ±2°			