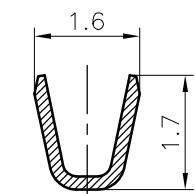
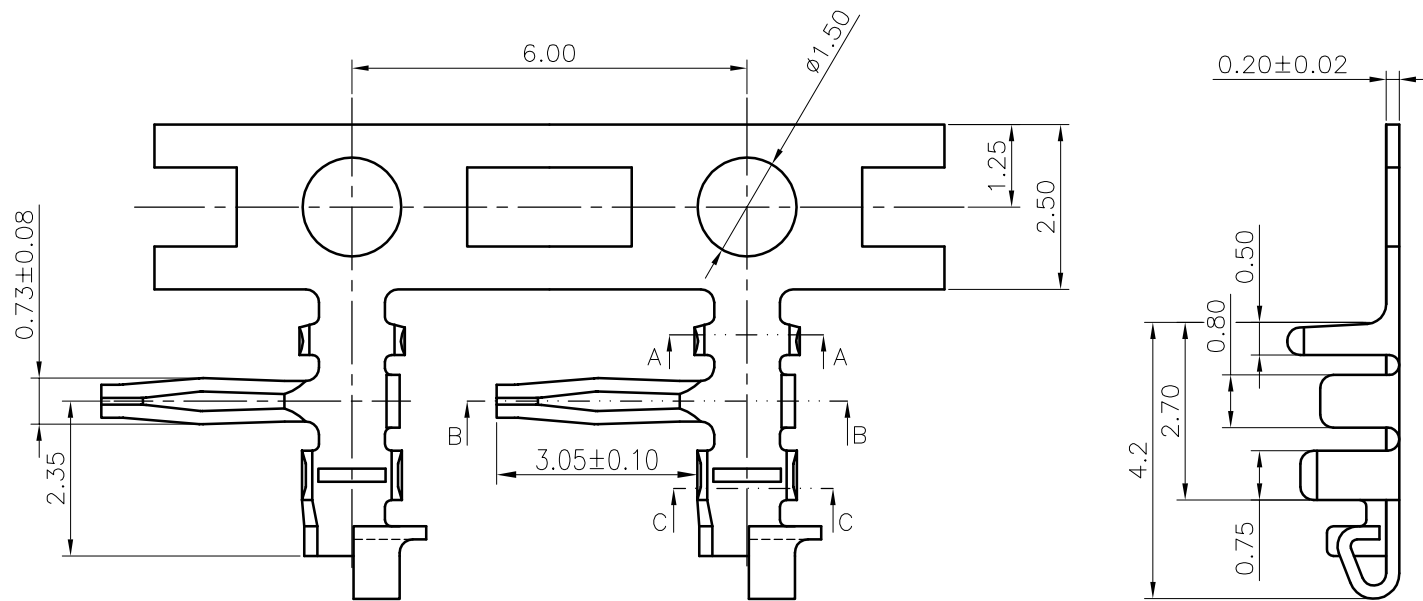
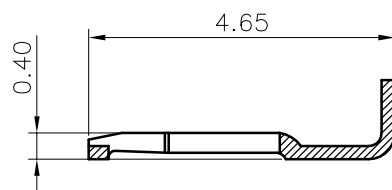


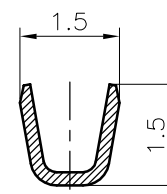
RoHS
COMPLIANT



SECTION:A-A



SECTION:B-B



SECTION:C-C

◆ SPECIFICATIONS

- Current rating: 1A AC, DC
- Voltage rating: 200V AC, DC
- Temperature range: -40°C ~ +105°C
- Insulation resistance: 500MΩ Min.
- Withstanding voltage: 500V AC/ minute.
- Contact resistance: 20mΩ Max.

Material: Brass

Finish: Tin Plated

Applicable wires:

Conductor size: AWG #28~#30

Insulation O.D: 1.0mm Max.

Suitable: KR1502 series Housing

Qty/reel: 10,000PCS

F	△4				TOLERANCE X.X ±0.3 X.XX ±0.2 X.XXX ±0.1 Angle ±1°	TITLE: SZN1.5 90° Terminal 加长	DRAWN: TLX 2020.05.14		KONNRA 东莞市康瑞电子有限公司 DongGuan Konnra Electronics Co., Ltd.		
	△3						CHECKED:				
	△2	更改料号及图框格式	TLX	2020.05.14			APPROVED:		PART NO. : T1502RBT0102A		
	MARK	REVISION DESCRIPTION	SIGNATURE	DATE			UNIT: mm	SCALE: N/A	SHEET: 1/1	PROJECTION	REV. : A2