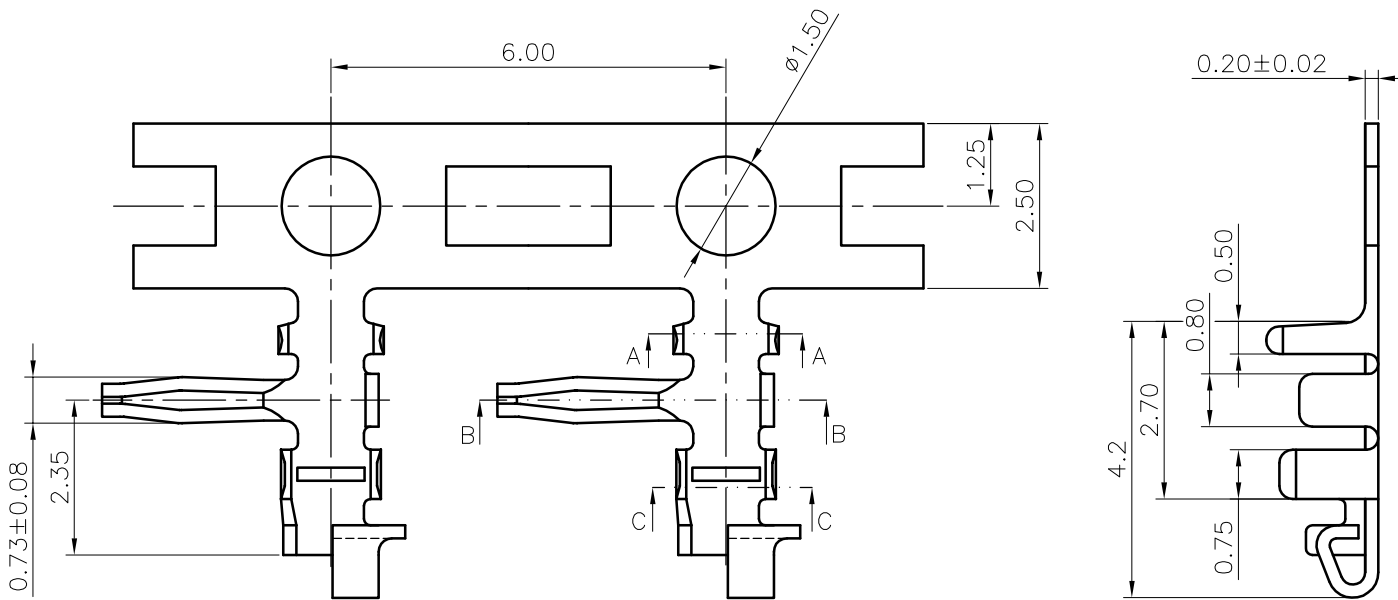


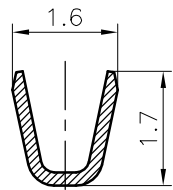
RoHS  
COMPLIANT



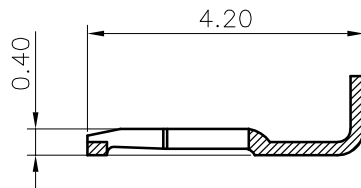
◆ SPECIFICATIONS

- Current rating: 1A AC, DC
- Voltage rating: 200V AC, DC
- Temperature range: -40°C ~ +105°C
- Insulation resistance: 500MΩ Min.
- Withstanding voltage: 500V AC/ minute.
- Contact resistance: 20mΩ Max.

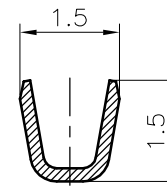
Material: Brass  
 Finish: Tin Plated  
 Applicable wires:  
 Conductor size: AWG #28~#30  
 Insulation O.D: 1.0mm Max.  
 Suitable: KR1502 series Housing  
 Qty/reel: 10,000PCS



SECTION:A-A



SECTION:B-B



SECTION:C-C

F					<b>TOLERANCE</b> X.X ±0.3 X.XX ±0.2 X.XXX ±0.1 Angle ±1°	<b>TITLE:</b> SZN1.5 90° Terminal		DRAWN: TLX 2020.05.14		<b>KONNRA</b> 东莞市康瑞电子有限公司 DongGuan Konnra Electronics Co., Ltd.			
								CHECKED:					
		更改料号及图框格式	TLX	2020.05.14				APPROVED:				PART NO. : T1502RBT0101A	
	<b>MARK</b>	<b>REVISION DESCRIPTION</b>	<b>SIGNATURE</b>	<b>DATE</b>				<b>UNIT: mm</b>	<b>SCALE: N/A</b>			<b>SHEET: 1/1</b>	<b>PROJECTION</b>
	1	2	3	4	5	6	7	8	9				