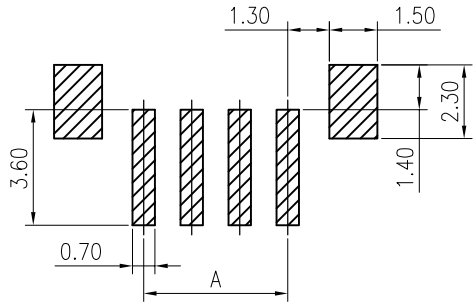
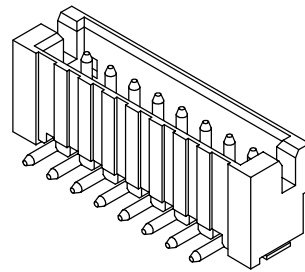


RoHS
COMPLIANT



Recommended P.C.Board Layout



◆ SPECIFICATIONS

- Current rating: 1A AC, DC
- Voltage rating: 100V AC, DC
- Temperature range: -40°C ~ +105°C
- Insulation resistance: 500MΩ Min.
- Withstanding voltage: 500V AC/ minute.
- Contact resistance: 20mΩ Max.

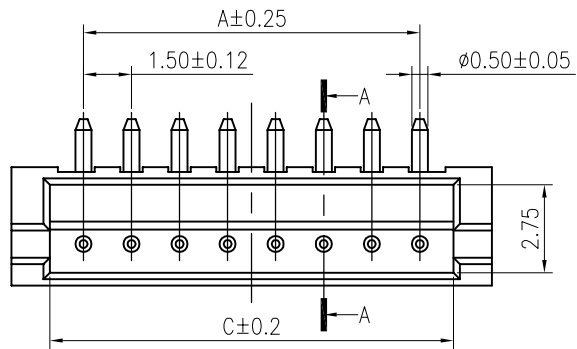
Material:

Insulator: Nylon 9T UL 94V-0

Contact: Brass

Plating: Tin plated over Nickel

Mates with KR1501 series housing



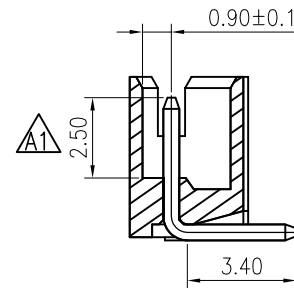
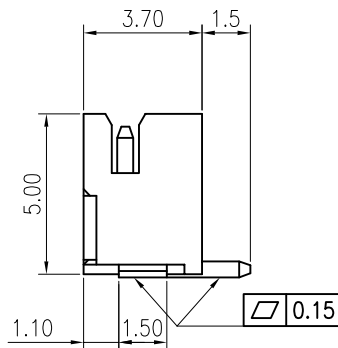
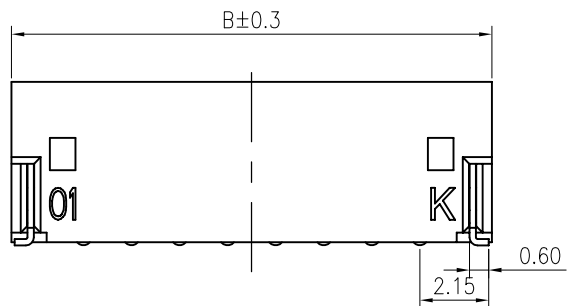
C1501VS1****M01 ** RA

No. of Circuits
102: 2
116: 16

Insulator Material
11: PA9T Natural
12: PA9T black

01: Standard
03: Heat sealing
04: Special cover

CKT.	A	B	C
2	1.50	6.00	3.60
3	3.00	7.50	5.10
4	4.50	9.00	6.60
5	6.00	10.50	8.10
6	7.50	12.00	9.60
7	9.00	13.50	11.10
8	10.50	15.00	12.60
9	12.00	16.50	14.10
10	13.50	18.00	15.60
11	15.00	19.50	17.10
12	16.50	21.00	18.60
13	18.00	22.50	20.10
14	19.50	24.00	21.60
15	21.00	25.50	23.10
16	22.50	27.00	24.60



SECTION A-A

F	△3			TOLERANCE	TITLE: ZH1.5 SMT 180°WF	DRAWN: TLX 2020.03.25		KONNRA 东莞市康瑞电子有限公司 DongGuan Konnra Electronics Co., Ltd.		
	△2	更改料号及图框格式	TLX	2020.03.25		CHECKED:				
	△1	变更对插口针外露长度2.10改为2.50mm	程如意	2016.08.09		APPROVED:		PART NO.: C1501VS1****M01**RA		
	MARK	REVISION DESCRIPTION	SIGNATURE	DATE		Angle ±3°	UNIT: mm	SCALE: N/A	SHEET: 1/1	PROJECTION
	1	2	3	4	5	6	7	8	9	