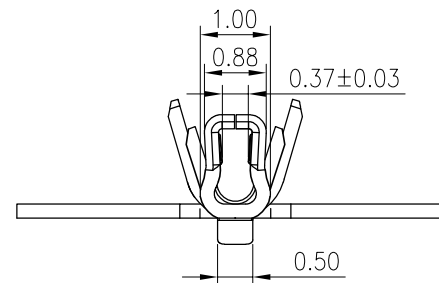
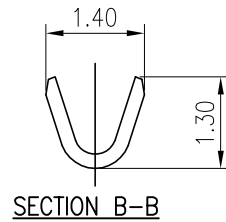
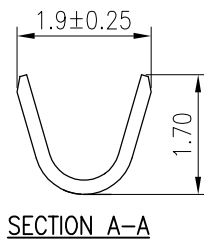
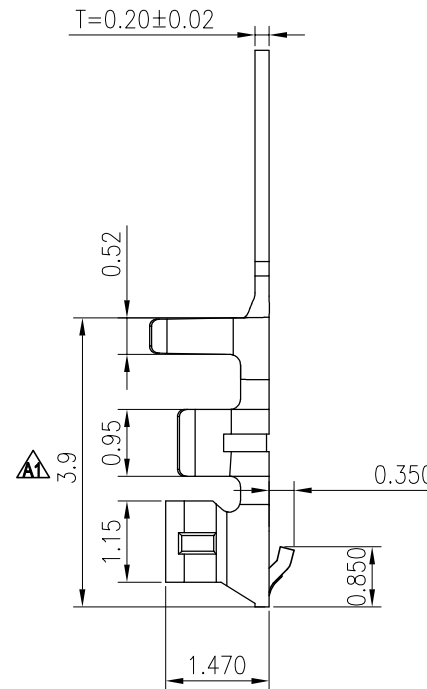
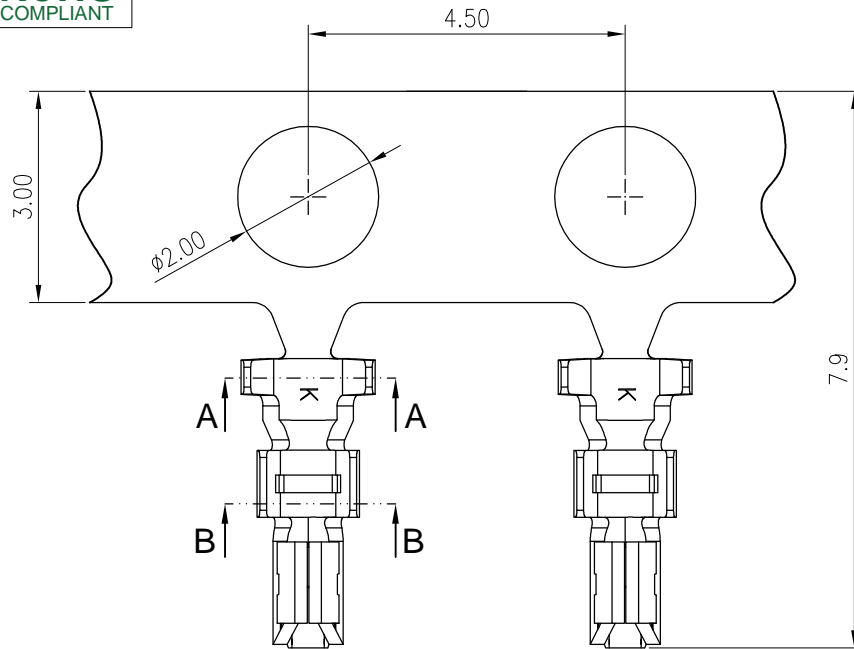


RoHS
COMPLIANT



◆ SPECIFICATIONS

- Current rating: 1A AC, DC
- Voltage rating: 100V AC, DC
- Temperature range: -40°C ~ +105°C
- Insulation resistance: 500MΩ Min.
- Withstanding voltage: 500V AC/ minute.
- Contact resistance: 20mΩ Max.

Material: Brass or Phosphor bronze

Finish: Tin Plated over Nickel

Applicable wires:

AWG #26~#30

Insulation O.D.: 1.10mm Max / 0.80mm Min .

Suitable KR1501 series housing

Mates with KR1501 series wafer

Q'ty/reel: 20,000PCS

Ordering Code:

T15010****01A

B: 黄铜 S00: 素材
P: 磷铜 T01: 亮锡

△4				TOLERANCE	TITLE:	DRAWN: TLX 2020.05.14	KONNRA 东莞市康瑞电子有限公司 DongGuan Konnra Electronics Co., Ltd.
△3				X. X ± 0.30	ZH 1.5 Terminal	CHECKED:	
△2	更改料号及图框格式	TLX	2020.05.14	X. XX ± 0.20 X. XXX ± 0.10		APPROVED:	
MARK	REVISION DESCRIPTION	SIGNATURE	DATE	Angle ± 2°	UNIT: mm	SHEET: 1/1	PROJECTION

							PART NO.: T15010****01A
							REV.: A2 DRAWING NO.: 1501T101-A-S