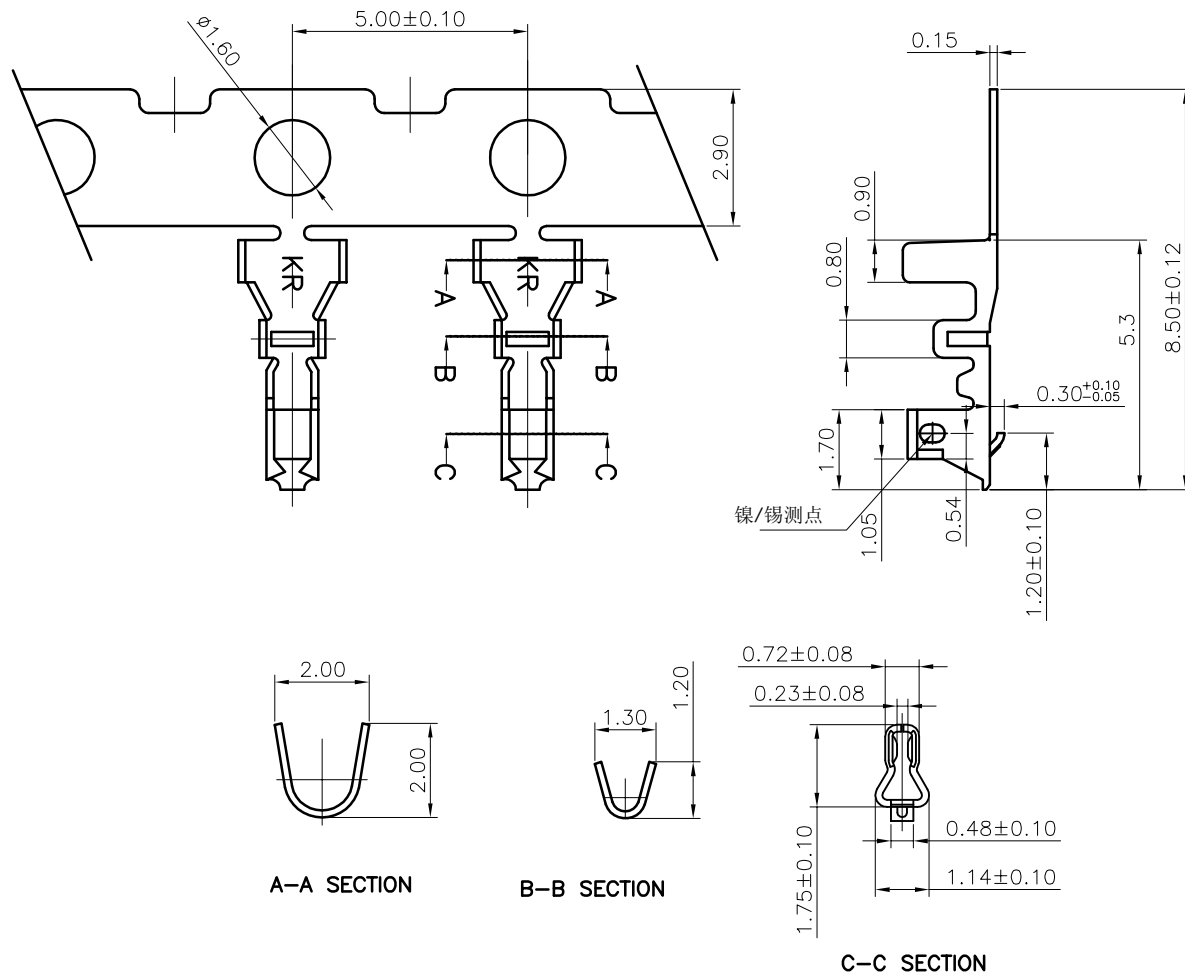


RoHS  
COMPLIANT



◆ SPECIFICATIONS

- Current rating: 2.5A AC, DC
- Voltage rating: 250V AC, DC
- Temperature range: -40°C ~ +105°C
- Insulation resistance: 1000M $\Omega$  Min.
- Withstanding voltage: 500V AC/ minute.
- Contact resistance: 20m $\Omega$  Max.

Material: Phosphor Bronze

Finish: Spec1: Tin plated over Nickel  
spec2: Gold flash over Nickel

Applicable Wires:

AWG#24~#28

Insulation O.D. : 0.70~1.10mm MAX

Suitable 1500 series Series Housing

Q'ty/reel: 10,000PCS

Ordering Code:

T15000P T01 01A

└ Plating

T01: Tin plated

G01: Gold flash

F					<b>TOLERANCE</b> X.X ±0.30 X.XX ±0.20 X.XXX ±0.10 Angle ±2°	<b>TITLE:</b> MK1.5 Terminal	DRAWN: TLX 2020.05.14		KONNRA 东莞市康瑞电子有限公司	
							CHECKED:		DongGuan Konnra Electronics Co., Ltd.	
		更改料号及图框格式	TLX	2020.05.14			APPROVED:		PART NO.: T15000P***01A	
	<b>MARK</b>	<b>REVISION DESCRIPTION</b>	<b>SIGNATURE</b>	<b>DATE</b>			<b>UNIT: mm</b>	<b>SCALE: N/A</b>	<b>SHEET: 1/1</b>	<b>PROJECTION</b>
	1	2	3	4	5	6	7	8	9	