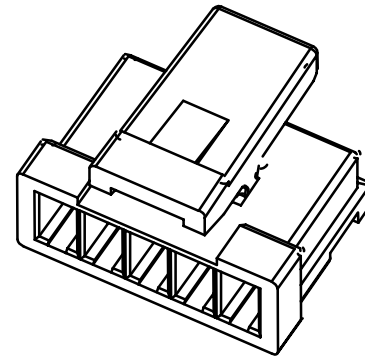
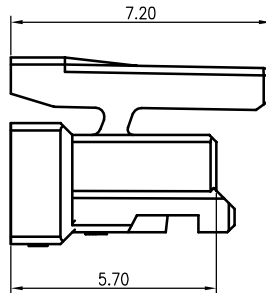
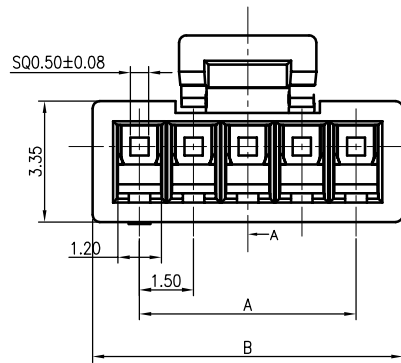
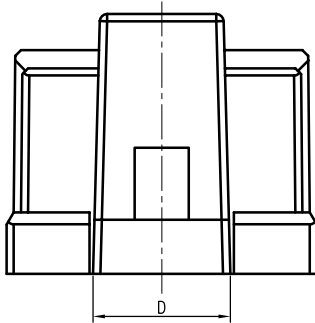
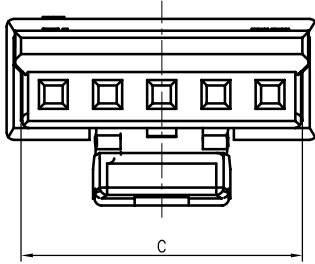


RoHS  
COMPLIANT



3D View

◆ SPECIFICATIONS

- Current rating: 2.5A AC, DC
- Voltage rating: 250V AC,DC
- Temperature range: -40°C ~ +105°C
- Insulation resistance: 1000MΩ Min.
- Withstanding voltage: 500V AC/ minute.
- Contact resistance: 20m Ω Max.

Material: Insulator: Nylon 66 UL 94V-0  
Suitable KR1500 Series Terminal  
Mates With KR1500 Series Wafer

Ordering Code:

H15000 \*\*\* 01 02A

102=2P

103=3P.....

01: PA66 UL94 V-0 whi te

Dimensions				
Pin	A	B	C	D
2P	1.50	4.10	3.30	2.40
3P	3.00	5.60	4.80	2.40
4P	4.50	7.10	6.30	3.80
5P	6.00	8.60	7.80	3.80
6P	7.50	10.10	9.30	3.80
7P	9.00	11.60	10.80	3.80
8P	10.50	13.10	12.30	5.80
9P	12.00	14.60	13.80	5.80
10P	13.50	16.10	15.30	5.80
11P	15.00	17.60	16.80	5.80
12P	16.50	19.10	18.30	5.80
13P	18.00	20.60	19.80	5.80
14P	19.50	22.10	21.30	5.80
15P	21.00	23.60	22.80	5.80

F					TOLERANCE	TITLE:	DRAWN:	KONNRA 东莞市康瑞电子有限公司 DongGuan Konnra Electronics Co., Ltd.		
					X. X ± 0.30	MK1.5带扣 Housing	CHECKED:			
		更改料号及图框格式	TLX	2020.03.28	X. XX ± 0.20		APPROVED:	PART NO. : H15000***0102A		
	MARK	REVISION DESCRIPTION	SIGNATURE	DATE	X. XXX ± 0.10	UNIT: mm	SCALE: N/A	SHEET: 1/1	PROJECTION	REV. : A2