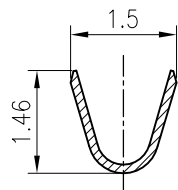
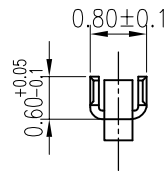
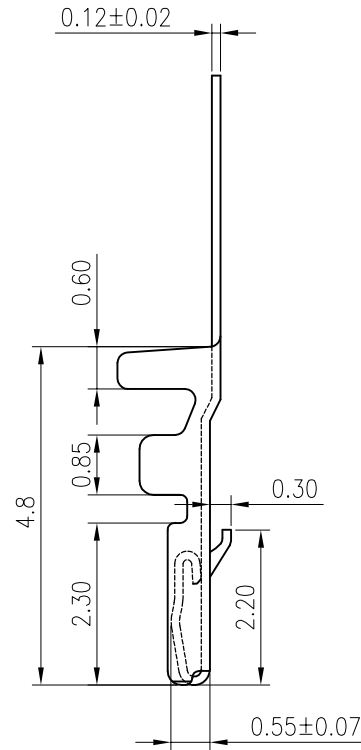
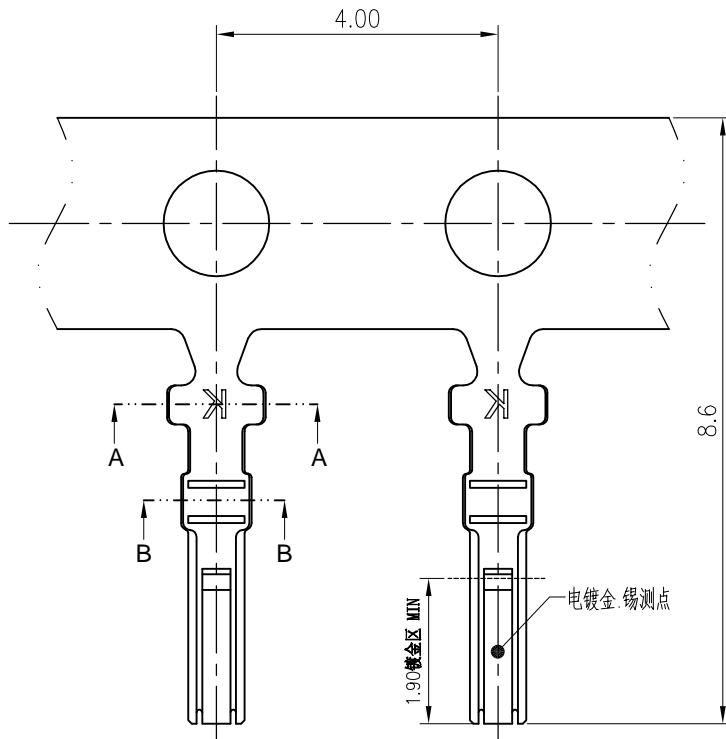
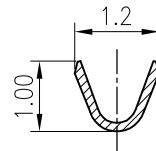


RoHS  
COMPLIANT



SECTION:A-A



SECTION:B-B

**SPECIFICATIONS**

Current rating: 1A AC, DC  
Voltage rating: 50V AC,DC  
Temperature range: -40°C ~ +105°C  
Insulation resistance: 100MΩ/ min.  
Withstanding voltage: 500V AC/ minute.  
Contact resistance: 30mΩ/ max.

Material: Phosphor Bronze

Applicable wires:

Conductor size: AWG#26~#32

Insulation O.D. : 1.0mm Max.

Finish: Tin plated or Gold plated contact area

Suitable KR1259 Series Housing

Mates With KR1259 Series Wafer

Q'TY/Reel: 20,000PCS

Ordering Code:

T12590P\*\*\*01A



S00: 素材

T01: 镀锡

B08: 镀半金镍

G08: 镀金40u"

|      |                      |           |      |            |   |                           |                      |           |                                       |  |
|------|----------------------|-----------|------|------------|---|---------------------------|----------------------|-----------|---------------------------------------|--|
| F    |                      | 更改料号及图框格式 | TLX  | 2020.05.08 | TOLERANCE<br>X. X ±0.20<br>X. XX ±0.15<br>X. XXX ±0.08<br>Angle ±2° | TITLE:<br>GH1.25 Terminal | DRAWN: TLX 2020.05.8 |           | KONNRA 东莞市康瑞电子有限公司                    |  |
|      |                      | 新增半金镍电镀规格 | 程如意  | 2016.06.29 |   |                           | CHECKED:             |           | DongGuan Konnra Electronics Co., Ltd. |  |
|      |                      | 更改包线脚尺寸   | 王钰徽  | 2015.10.20 |   |                           | APPROVED:            |           | PART NO. : T12590P***01A              |  |
| MARK | REVISION DESCRIPTION | SIGNATURE | DATE | UNIT: mm   | SCALE: N/A  | SHEET: 1/1                | PROJECTION           | REV. : A3 | DRAWING NO. : 1259T01-A-S             |  |
| 1    | 2                    | 3         | 4    | 5          | 6   | 7                         | 8                    | 9         |                                       |  |