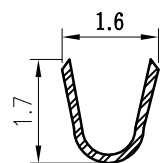
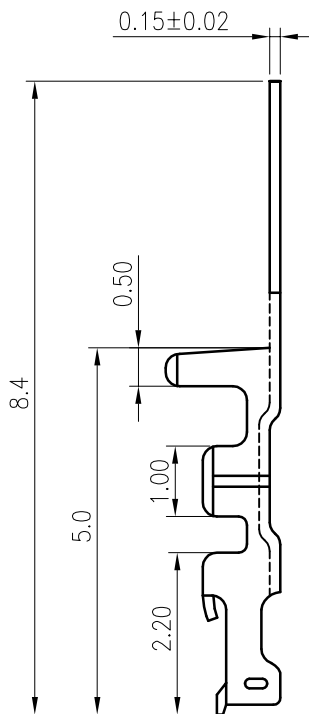
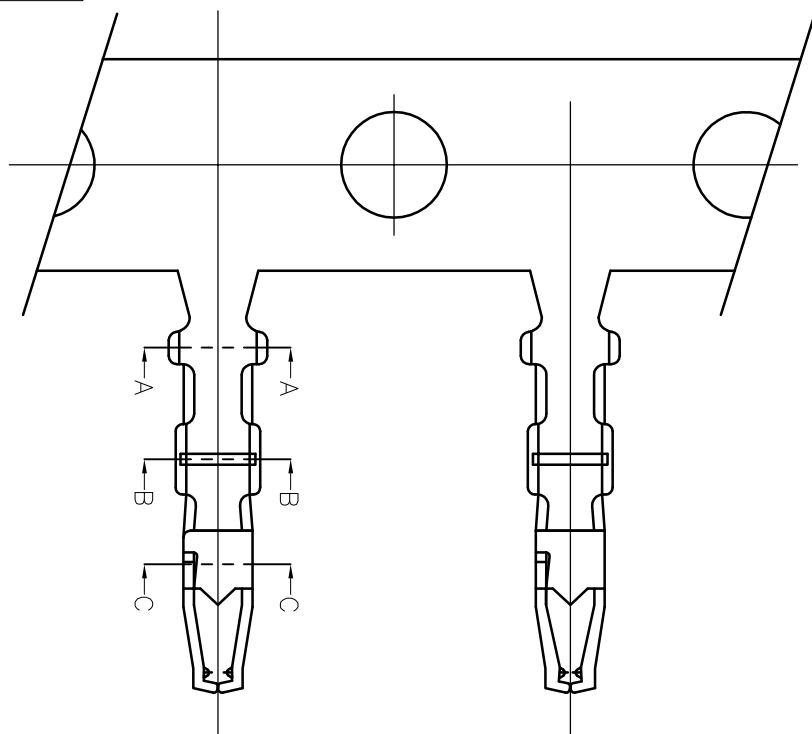
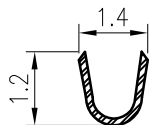


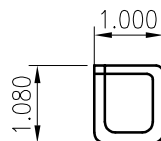
RoHS
COMPLIANT



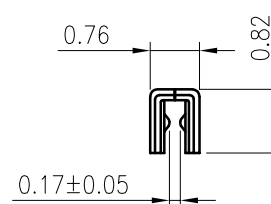
SECTION A-A



SECTION B-B



SECTION C-C



SPECIFICATIONS

1. Current rating: 1A AC, DC
2. Voltage rating: 150V AC, DC
3. Temperature range: -40°C ~ +105°C
4. Insulation resistance: 500MΩ Min.
5. Withstanding voltage: 500V AC/ minute.
6. Contact resistance: 30mΩ Max.

Applicable Wires:

AWG#26~#32

Insulation O.D. : 1.00mm MAX

Material: Phosphor Bronze

Finish: Tin-Plated

Suitable KR1255 series housing

Q'ty/Reel: 10,000 PCS

F	A3			TOLERANCE		TITLE:		DRAWN: Liujiangtian 2020.3.30		KONNRA 东莞市康瑞电子有限公司	
				X. X ±0.30	DF14 Terminal		CHECKED:		DongGuan Konnra Electronics Co., Ltd.		
	A2	更改料号及图框格式	LJT	2020.03.30	X. XX ±0.20			APPROVED:		PART NO. : T1255OPT0101B	
MARK	REVISION DESCRIPTION		SIGNATURE	DATE	Angle ±2°	UNIT: mm	SCALE: N/A	SHEET: 1/1	PROJECTION	REV. : A2	DRAWING NO. : 1255T101-B-S
1	2	3	4	5	6	7	8	9			