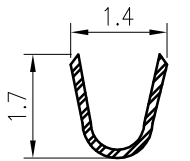
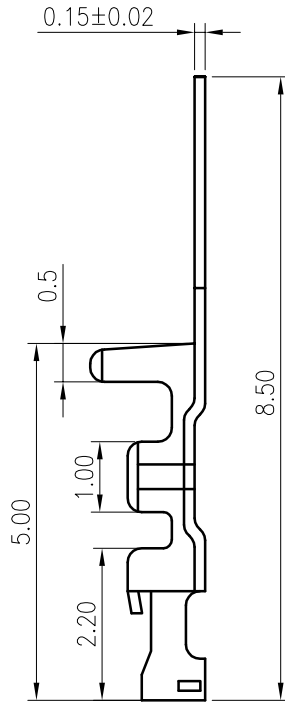
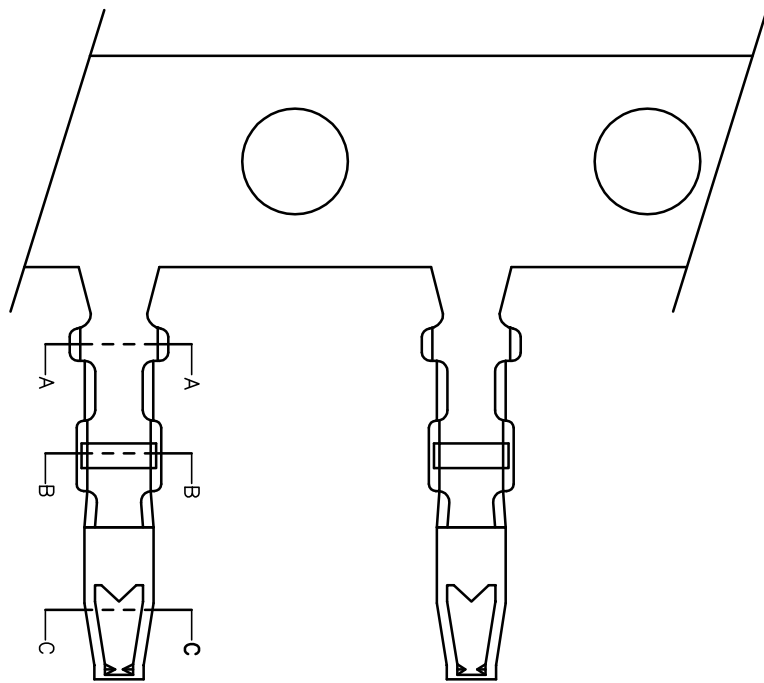
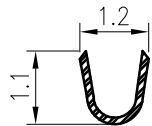


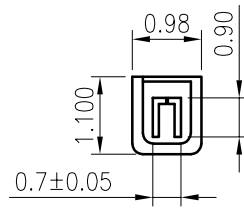
RoHS  
COMPLIANT



SECTION A-A



SECTION B-B



SECTION C-C

**SPECIFICATIONS**

1. Current rating: 1A AC, DC
2. Voltage rating: 150V AC, DC
3. Temperature range: -40°C ~ +105°C
4. Insulation resistance: 500MΩ Min.
5. Withstanding voltage: 500V AC/ minute.
6. Contact resistance: 30mΩ Max.

**Applicable Wires:**

AWG#28~#32

Insulation O.D. : 1.00mm MAX

Material: Phosphor Bronze

Finish: Tin-Plated

Suitable KR1255 series housing

Q'ty/Reel: 10,000 PCS

F					TOLERANCE X. X ±0.30 X. XX ±0.20 X. XXX ±0.10 Angle ±2°	TITLE: DF14 Terminal	DRAWN: Liujingtian 2020.3.30		KONNRA 东莞市康瑞电子有限公司		
		更改料号及图框格式	LJT	2020.03.30			CHECKED:		DongGuan Konnra Electronics Co., Ltd.		
MARK	REVISION DESCRIPTION	SIGNATURE	DATE	UNIT: mm	SCALE: N/A	SHEET: 1/1	PROJECTION	REV. : A2	PART NO. : T1255OPT0101A		
1	2	3	4	5	6	7	8	9	DRAWING NO. : 1255T101-A-S		