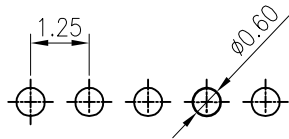
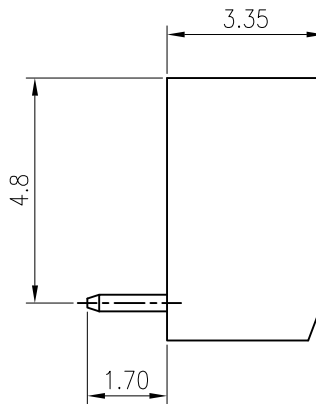
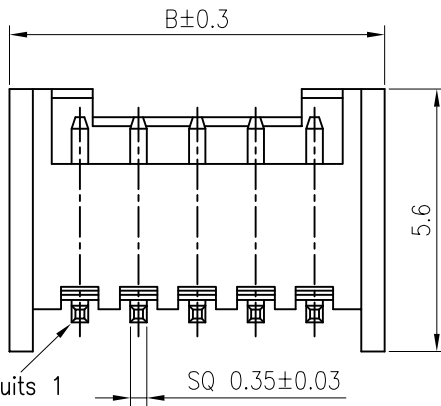
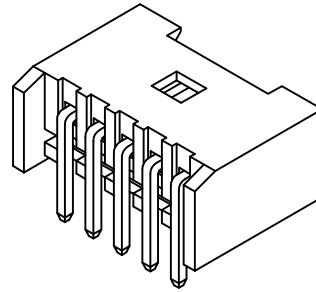
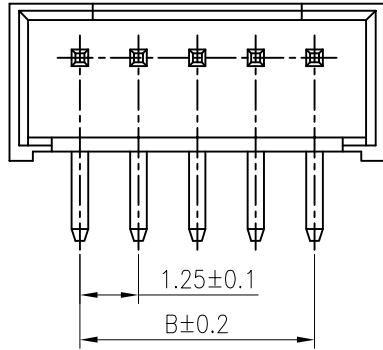


RoHS  
COMPLIANT



Recommended P.C.B. Layout  
Total tolerance: ±0.05mm

**SPECIFICATIONS**

1. Current rating: 3A AC, DC
2. Voltage rating: 250V AC, DC
3. Temperature range: -40°C ~ +105°C
4. Insulation resistance: 1000MΩ/ min.
5. Withstanding voltage: 1000V AC/ minute.
6. Contact resistance: 20mΩ/ max.

**Material:**

Insulator: PA66 UL94 V-0  
Contact: Brass  
Plating: Tin plated over Nickel  
Mate with KR1254 series housing

**Ordering Code:**

C1254RD \*\*\* 17 T01 01PA  
No. of Circuits } 102:02, 115:15 } Plating } T01: Tin plated  
Insulator Material } 17: PA66 Brown V0

Circuits	Dimensions		Circuits	Dimensions	
	A	B		A	B
2	1.25	4.25	9	10.00	13.00
3	2.50	5.50	10	11.25	14.25
4	3.75	6.75	11	12.50	15.50
5	5.00	8.00	12	13.75	16.75
6	6.25	9.25	13	15.00	18.00
7	7.50	10.50	14	16.25	19.25
8	8.75	11.75	15	17.50	20.50



MARK

REVISION	DESCRIPTION	SIGNATURE	DATE
1	更改料号及图框格式	Arvin	2020.04.10

**TOLERANCE**  
X. X ±0.30  
X. XX ±0.20  
X. XXX ±0.10  
Angle ±2°

**TITLE:**  
JAE 1.25 DIP 90°  
Wafer

UNIT: mm SCALE: N/A

**DRAWN:** Arvin 2020.04.10

**CHECKED:**

**APPROVED:**

SHEET: 1/1



**KONNRA** 东莞市康瑞电子有限公司  
DongGuan Konnra Electronics Co., Ltd.

PART NO.: C1254RD\*\*\*17T0101PA

REV.: A2 DRAWING NO.: 1254WRD101-A-S