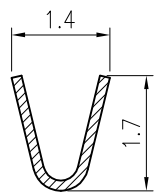
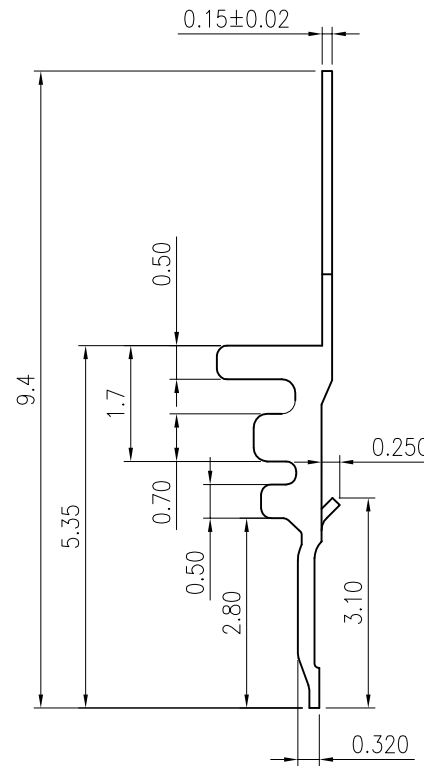
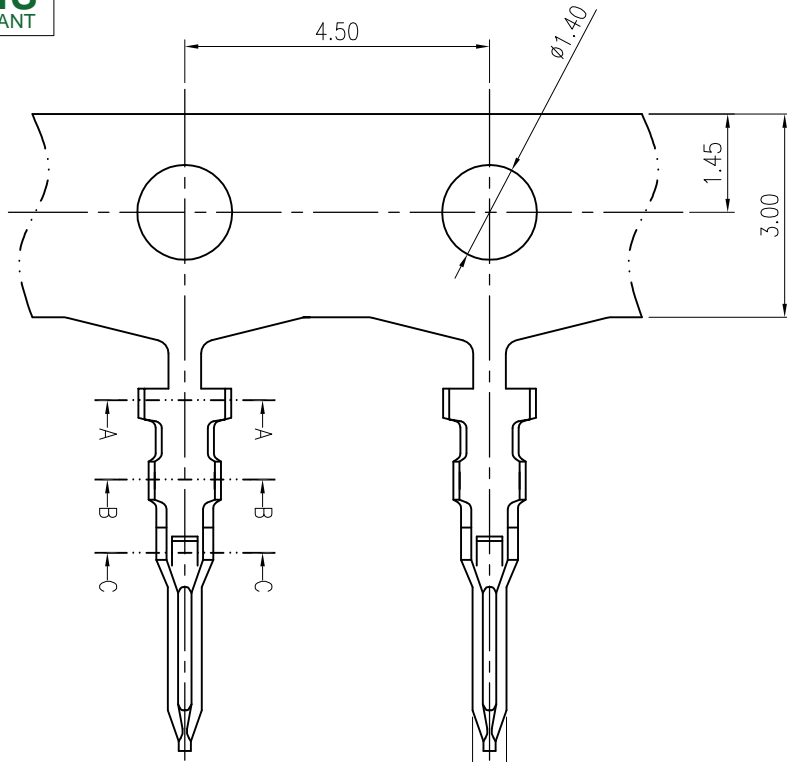
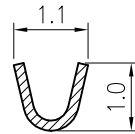


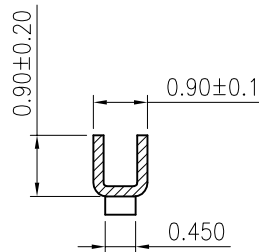
RoHS
COMPLIANT



SECTION A-A



SECTION B-B



SECTION C-C

◆ SPECIFICATIONS

Current rating: 1A AC, DC
Voltage rating: 125V AC, DC
Temperature range: -40°C ~ +105°C
Insulation resistance: 100MΩ/ min.
Withstanding voltage: 250V AC/ minute.
Contact resistance: 20mΩ/ max.

Material: PHOSPHOR BRONZE
Applicable wires:
Conductor size: AWG#28-#32
Insulation O.D.: 1.00mm Max.
Plating: Tin plated
Suitable: 1252 series Housing

F	△4			TOLERANCE X. X ±0.30 X. XX ±0.20 X. XXX ±0.10 Angle ±2°	TITLE: MX1.25 直插 Terminal	DRAWN: TLX 2020.03.20		KONNRA 东莞市康瑞电子有限公司			
	△3					CHECKED:		DongGuan Konnra Electronics Co., Ltd.			
	△2	更改料号及图框格式	TLX			2020.03.20	APPROVED:		PART NO.: T1252OPT0102A		
	MARK	REVISION DESCRIPTION	SIGNATURE			DATE	UNIT: mm	SCALE: N/A	SHEET: 1/1	PROJECTION	REV.: A2
	1	2	3	4	5	6	7	8	9		