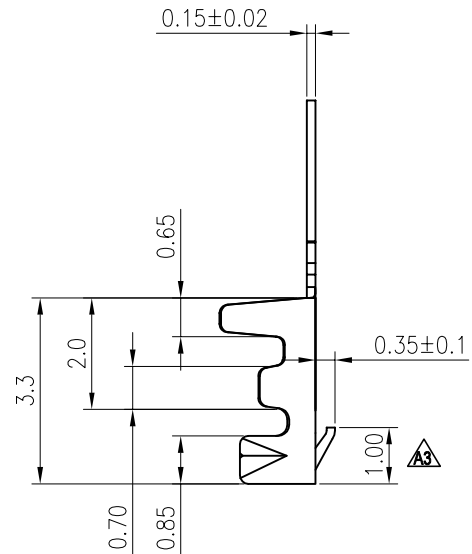
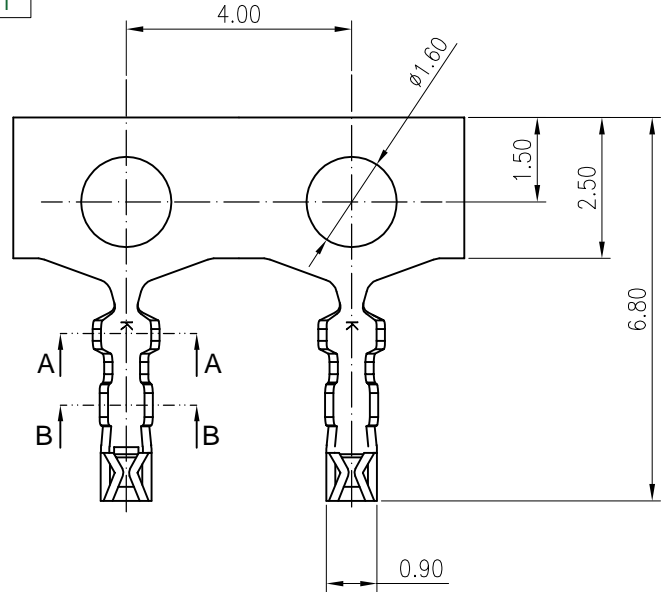


RoHS
COMPLIANT



◆ SPECIFICATIONS

- Current rating: 1A AC, DC
- Voltage rating: 125V AC, DC
- Temperature range: -40°C ~ +105°C
- Insulation resistance: 100MΩ Min.
- Withstanding voltage: 250V AC/ minute.
- Contact resistance: 20mΩ Max.

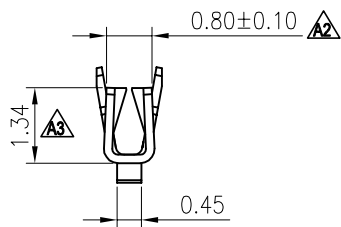
Terminal:

Material: Phosphor Bronze
 Finish: Tin Plated over Nickel
 Applicable wires:
 AWG #28-#32
 Insulation O.D.: 1.0mm Max.
 Suitable: KR1250 series Housing
 Qty/reel: 15,000PCS

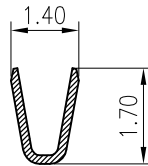
PART NO. :

T1250FP***01A

- S00: 素材
- T01: 亮锡
- G01: 镀金0.8u"
- G02: 镀金1u"
- G03: 镀金2u"
- G05: 镀金10u"



SECTION A-A



SECTION B-B

F		更改料号及图框格式	TLX	2020.05.14	TOLERANCE X.X ±0.30 X.XX ±0.20 X.XXX ±0.10 Angle ±2°	TITLE: MK1.25 Terminal	DRAWN: TLX 2020.05.14		KONNRA 东莞市康瑞电子有限公司 DongGuan Konnra Electronics Co., Ltd.
		1.400改为1.34; 0.95改为1.00	曾广博	2016.01.05			CHECKED:		
		调整喇叭口尺寸	曾广博	2015.12.10			APPROVED:		
MARK	REVISION DESCRIPTION	SIGNATURE	DATE	UNIT: mm	SCALE: N/A	SHEET: 1/1	PROJECTION	REV.: A4	DRAWING NO.: 1250T02-A-S