

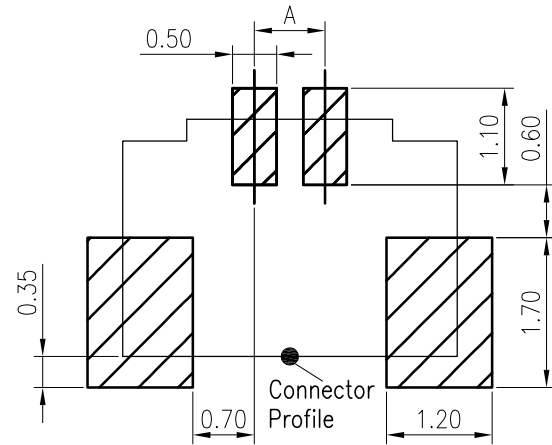
RoHS
COMPLIANT

SPECIFICATIONS

1. Current rating: 0.5A AC, DC
2. Voltage rating: 30V AC,DC
3. Temperature range: -40°C ~ +105°C
4. Insulation resistance: 100MΩ Min.
5. Withstanding voltage: 200V AC/ minute.
6. Contact resistance: 20mΩ Max.

Material:

Insulator: LCP UL 94V-0
 Contact: Phosphor bronze
 Fitting Nail: Brass
 Plating: Gold flash plated or selective gold over Nickel
 Mate with KR0800 series housing or KR0803 series crimp housing



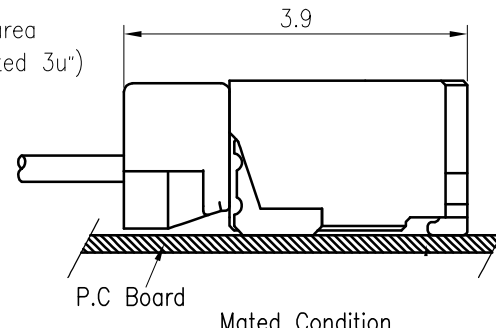
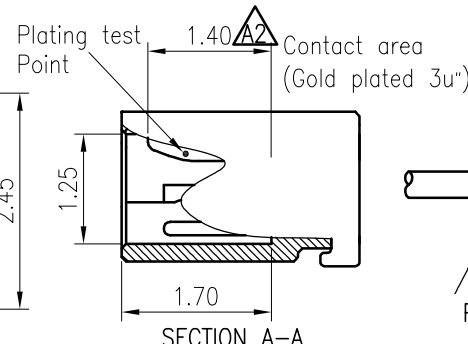
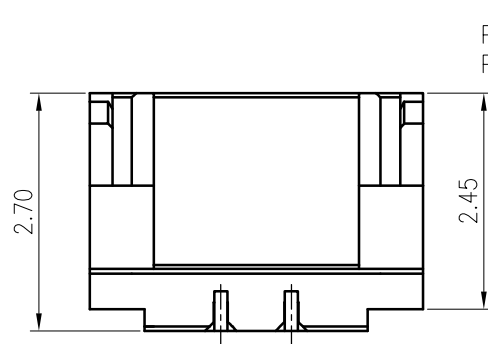
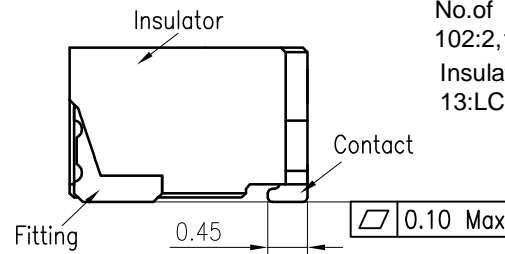
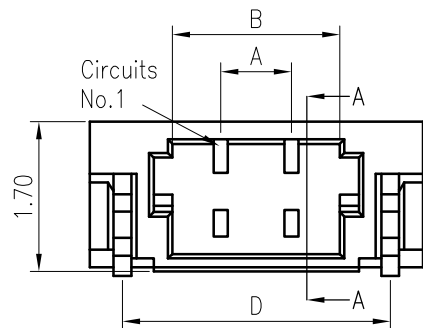
Recommended P.C.B. Layout
 Total tolerance: ±0.05mm

C0800RS *** 13 G01 01RA

No. of Circuits 102:2,120:20
 Insulator Material 13:LCP Natural

Plating
 G01:Gold flash
 B03:Selective gold plated 3u"

Circuits	Dimensions			
	A	B	C	D
02	0.80	1.90	3.78	3.04
03	1.60	2.70	4.58	3.84
04	2.40	3.50	5.38	4.64
05	3.20	4.30	6.18	5.44
06	4.00	5.10	6.98	6.24
07	4.80	5.90	7.78	7.04
08	5.60	6.70	8.58	7.84
09	6.40	7.50	9.38	8.64
10	7.20	8.30	10.18	9.44
11	8.00	9.10	10.98	10.24
12	8.80	9.90	11.78	11.04
13	9.60	10.70	12.58	11.84
14	10.40	11.50	13.38	12.64
15	11.20	12.30	14.18	13.44
16	12.00	13.10	14.98	14.24
17	12.80	13.90	15.78	15.04
18	13.60	14.70	16.58	15.84
19	14.40	15.50	17.38	16.64
20	15.20	16.30	18.18	17.44



F	更改料号及图框格式	Arvin	2020.03.30	TOLERANCE X. X ±0.30 X. XX ±0.20 X. XXX ±0.10 Angle ±2°	TITLE: SURO. 8 SMT 90° Wafer	DRAWN: Arvin 2020.03.30		KONNRA 东莞市康瑞电子有限公司 DongGuan Konnra Electronics Co., Ltd. PART NO.: C0800RS***13G0101RA	
	更正20P "C" 尺寸	Arvin	2019.05.14			CHECKED:			
	增加半镀金产品	闵昕皓	2018.08.23			APPROVED:			
	MARK	REVISION DESCRIPTION	SIGNATURE			DATE	UNIT: mm		